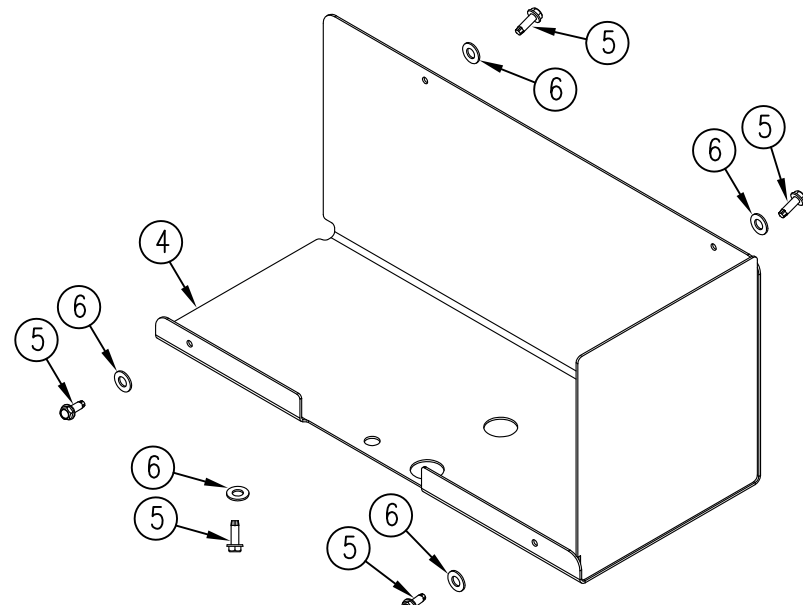


ITEM NO.	QTY.	PART NO.	DESCRIPTION
1	1	010319	PUMP CASE TOP WELDMENT (CANTILEVER)
2	1	004678	3/4" TWO SCREW/STRAP TYPE CONNECTOR
3	1	010576	04MJIC-04MJIC BULKHEAD FITTING
4	1	010375	POWER UNIT CASE BOTTOM WELDMENT (CANTILEVER)
5	5	013980	1/4-20x3/4" SS TY F HEX HD
6	5	000569	1/4" USS FLAT WASHER
7	4	011161	CIRCUIT BOARD SPACER/SUPPORT
8	2	000509	3/8-16x1"HHCS GR5
9	4	000572	3/8" SPRING LOCK WASHER
10	4	000550	3/8-16 HEX NUT GR5
11	2	000575	3/8 USS FLAT WASHER
12	1	009028	1-1/4" SMALL BLACK PLUG
13	2	011086	STRAIN RELIEF/HEYCO PN 1114
14	1	009556	BOX COVER DANGER DECAL
15	1	011840	STRAIN RELIEF/HEYCO PN 1237
16	1	095113	CANTILEVER POWER UNIT REPLACEMENT INSTR.



REV.	DATE	CHANGE RECORD	BY	APPVD	ECN	THIRD ANGLE PROJECTION	FILENAME:	WOODBINE MFG. CO. BUS BROWN DRIVE WOODBINE, IOWA 51579
D	8/10/15	REPLACE 747 WITH 13980	AAS		1463		SYMBOLY PER ANSI Y14.5	NOTES: 712-647-2050 THE INFORMATION HERE IS CONFIDENTIAL AND MUST NOT BE USED IN ANYWAY DETRIMENTAL TO THE INTEREST OF WOODBINE MFG.
C	1/27/14	ADDED (1) 11840 AND (1) 95113; REMOVED (4) 10655	JCB		1043		DRAWN BY: JCB	
B	2/6/12	ADDED 9556	JCB		561		DRAWN/DATE: 6/30/11	
A	6/30/11	RELEASED TO PRODUCTION	JCB		450		APPVD/DATE	
CHANGE RECORD							SALES CATEGORY	
							PRODUCT LINE	SCALE 1:6
							FIN. WT.	PART NO. 11275