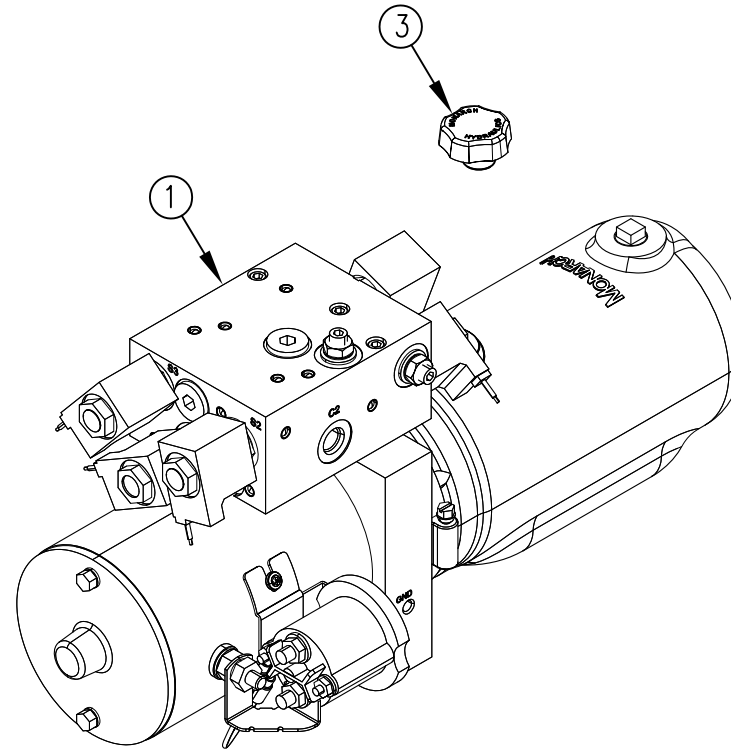


ITEM NO.	QTY.	PART NO.	DESCRIPTION
1	1	010322	MONARCH UNIT3552-0114 (CANTILEVER)
2	0.475 GAL	009034	HYDRAULIC OIL
3	1	010865*	PLASTIC VENT PLUG (CANTILEVER)
4	1	095113	CANTILEVER POWER UNIT REPLACEMENT INSTR.

\*ACCOUNTING-DO NOT USE FOR B.O.M.



REV.	DATE	CHANGE RECORD	BY	APPVD	ECN	THIRD ANGLE PROJECTION	FILENAME:	SYMBOLY PER ANSI Y14.5	NOTES:	WOODBINE MFG. CO. BUS BROWN DRIVE WOODBINE, IOWA 51579 712-647-2050																																
B	1/27/14	ADDED 95113	JCB		1043	<table border="1"> <tr> <td>DECIMAL</td> <td>2PLC</td> <td>3PLC</td> </tr> <tr> <td>MACHINE SAW, DRILL</td> <td>.030</td> <td>.015</td> </tr> <tr> <td>SHEAR, PUNCH FORM</td> <td>.060</td> <td>.030</td> </tr> <tr> <td>TORCH, WELDING ROUGH CAST</td> <td>.090</td> <td>.060</td> </tr> <tr> <td>DRAFT 2'</td> <td>ANGULAR ±1'</td> <td></td> </tr> </table>	DECIMAL	2PLC	3PLC	MACHINE SAW, DRILL	.030	.015	SHEAR, PUNCH FORM	.060	.030	TORCH, WELDING ROUGH CAST	.090	.060	DRAFT 2'	ANGULAR ±1'		<table border="1"> <tr> <td>DRAWN BY.</td> <td>JCB</td> </tr> <tr> <td>DRAWN/DATE</td> <td>6/30/11</td> </tr> <tr> <td>APPVD/DATE</td> <td></td> </tr> <tr> <td>SALES CATEGORY</td> <td></td> </tr> </table>	DRAWN BY.	JCB	DRAWN/DATE	6/30/11	APPVD/DATE		SALES CATEGORY		<table border="1"> <tr> <td>TITLE</td> <td>REPLACEMENT 1330 CANTILEVER POWER UNIT(2750 PSI)</td> </tr> <tr> <td>PRODUCT LINE</td> <td></td> </tr> <tr> <td>SCALE</td> <td>1:4</td> </tr> <tr> <td>FIN. WT.</td> <td></td> </tr> <tr> <td>PART NO.</td> <td>11273</td> </tr> </table>	TITLE	REPLACEMENT 1330 CANTILEVER POWER UNIT(2750 PSI)	PRODUCT LINE		SCALE	1:4	FIN. WT.		PART NO.	11273	<p>THE INFORMATION HERE IS CONFIDENTIAL AND MUST NOT BE USED IN ANYWAY DETRIMENTAL TO THE INTEREST OF WOODBINE MFG.</p>
DECIMAL	2PLC	3PLC																																								
MACHINE SAW, DRILL	.030	.015																																								
SHEAR, PUNCH FORM	.060	.030																																								
TORCH, WELDING ROUGH CAST	.090	.060																																								
DRAFT 2'	ANGULAR ±1'																																									
DRAWN BY.	JCB																																									
DRAWN/DATE	6/30/11																																									
APPVD/DATE																																										
SALES CATEGORY																																										
TITLE	REPLACEMENT 1330 CANTILEVER POWER UNIT(2750 PSI)																																									
PRODUCT LINE																																										
SCALE	1:4																																									
FIN. WT.																																										
PART NO.	11273																																									
A	6/30/11	RELEASED TO PRODUCTION	JCB		450																																					