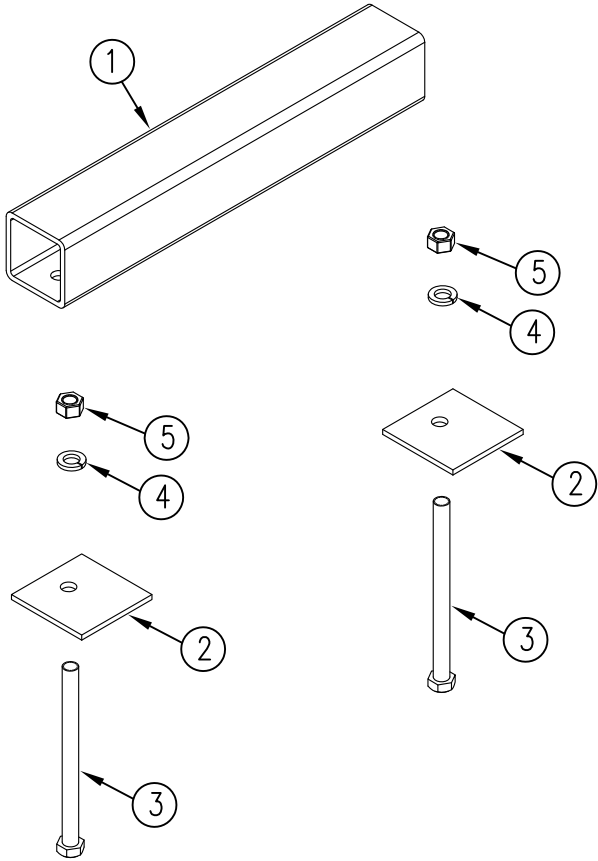


ITEM NO.	QTY.	PART NO.	DESCRIPTION
1	1	010320	STABILIZER TUBE (CANTILEVER)
2	2	010324	0.19"x3"x3" PLATE(CANTILEVER)
3	2	010490	1/2-13x6-1/2"HHCS GR5
4	2	000573	1/2" SPRING LOCK WASHER
5	2	000551	1/2-13 GRADE 5 HEX NUT (ZINC)



				THIRD ANGLE PROJECTION			FILENAME:				WOODBINE MFG. CO. BUS BROWN DRIVE WOODBINE, IOWA 51579					
							SYMBOLY PER ANSI Y14.5		NOTES:				712-647-2050			
				DECIMAL		2PLC	3PLC	DRAWN BY:								
				MACHINE SAW, DRILL		.030	.015	JCB								
				SHEAR, PUNCH FORM		.060	.030	DRAWN/DATE 6/30/11		REPLACEMENT CANTILEVER STABILIZER TUBE						
				TORCH, WELDING ROUGH CAST		.090	.060	APPVD/DATE								
A	6/30/11	RELEASED TO PRODUCTION				JCB		450			SALES CATEGORY					
REV.	DATE	CHANGE RECORD				BY	APPVD	ECN	DRAFT 2'		ANGULAR ±1'		PRODUCT LINE	SCALE 1:6	FIN. WT.	PART NO. 11272