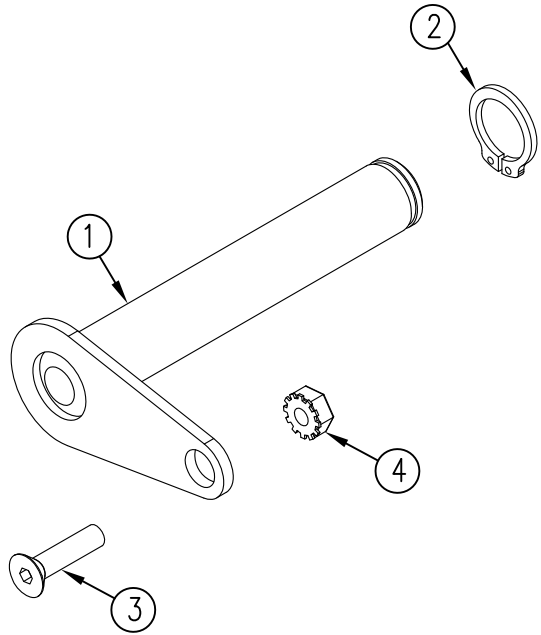


ITEM NO.	QTY.	PART NO.	DESCRIPTION
1	1	006417	CANTILEVER TENSION ARM PIN W/ KEEPER
2	1	002025	3/4"EXTERNAL SNAP RING, PLATED
3	1	011084	1/4-20x1" FLAT HEAD SOCKET CAP SCREW ZP
4	1	011081	1/4-20 KEPS NUT ZINC



				THIRD ANGLE PROJECTION			FILENAME:		WOODBINE MFG. CO.													
							SYMBOLY PER ANSI Y14.5		BUS BROWN DRIVE													
				<table border="1"> <thead> <tr> <th>DECIMAL</th> <th>2PLC</th> <th>3PLC</th> </tr> </thead> <tbody> <tr> <td>MACHINE SAW, DRILL</td> <td>.030</td> <td>.015</td> </tr> <tr> <td>SHEAR, PUNCH FORM</td> <td>.060</td> <td>.030</td> </tr> <tr> <td>TORCH, WELDING ROUGH CAST</td> <td>.090</td> <td>.060</td> </tr> </tbody> </table>			DECIMAL	2PLC	3PLC	MACHINE SAW, DRILL	.030	.015	SHEAR, PUNCH FORM	.060	.030	TORCH, WELDING ROUGH CAST	.090	.060	NOTES:		WOODBINE, IOWA 51579	
DECIMAL	2PLC	3PLC																				
MACHINE SAW, DRILL	.030	.015																				
SHEAR, PUNCH FORM	.060	.030																				
TORCH, WELDING ROUGH CAST	.090	.060																				
							DRAWN BY. JCB		712-647-2050													
							DRAWN/DATE 6/29/11															
							APPVD/DATE		THE INFORMATION HERE IS CONFIDENTIAL AND MUST NOT BE USED IN ANYWAY DETRIMENTAL TO THE INTEREST OF WOODBINE MFG.													
A	6/29/11	RELEASED TO PRODUCTION		JCB		450	TITLE		3/4" REPLACEMENT CANTILEVER TENSION ARM PIN													
REV.	DATE	CHANGE RECORD		BY	APPVD	ECN	SALES CATEGORY	PRODUCT LINE	SCALE 1:2	FIN. WT.	PART NO. 11268											