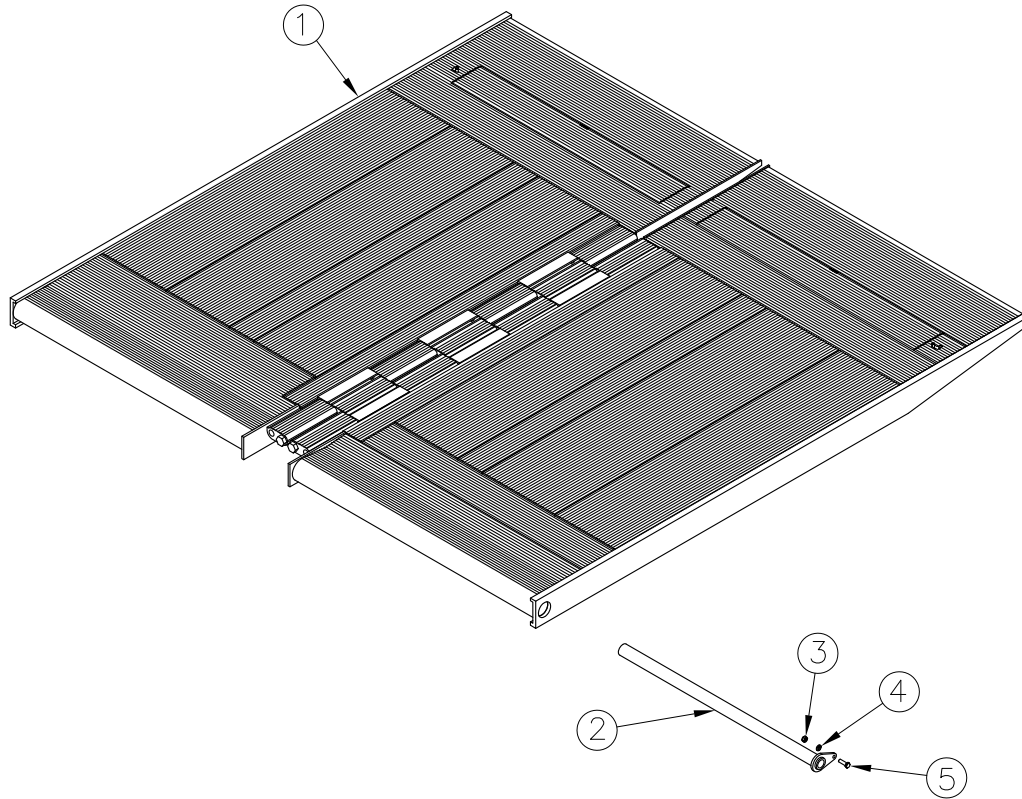


ITEM NO.	QTY.	PART NO.	DESCRIPTION
1	1	011168	EA PLATFORM COMPLETE (52" CANTILEVER)
2	1	010023	PLATFORM PIN ASSEMBLY
3	1	000554	5/16"-18 HEX NUT, ZP
4	1	000584	5/16" SPRING LOCK WASHER, ZP
5	1	010502	5/16"-18 X 1" HHCS GR 5, ZP
6	1	010511	DECAL SHEET-CANTILEVER



					THIRD ANGLE PROJECTION			FILENAME:		WOODBINE MFG. CO. BUS BROWN DRIVE WOODBINE, IOWA 51579		
								SYMBOLY PER ANSI Y14.5		NOTES:		
					DECIMAL	2PLC	3PLC	DRAWN BY.		712-647-2050		
C	1/18/14	REPLACED DECALS WITH DECAL SHEET	JCB	1040	MACHINE SAW, DRILL	.030	.015	DRAWN BY. JCB		<small>THE INFORMATION HERE IS CONFIDENTIAL AND MUST NOT BE USED IN ANYWAY DETRIMENTAL TO THE INTEREST OF WOODBINE MFG.</small>		
B	2/7/12	ADDED (2) 10628, 10627, 10591, 9555, 11082 & (1) 10626, 9478	JCB	561	SHEAR, PUNCH FORM	.060	.030	DRAWN/DATE 7/5/11				
A	7/5/11	RELEASED TO PRODUCTION	JCB	450	TORCH, WELDING ROUGH CAST	.090	.060	APPVD/DATE				
REV.	DATE	CHANGE RECORD	BY	APPVD	ECN	DRAFT 2'	ANGULAR ±1'	SALES CATEGORY	PRODUCT LINE	SCALE 1:14	FIN. WT.	PART NO. 11253
								TITLE		52" REPLACEMENT ALUMINUM PLATFORM (CANTILEVER)		