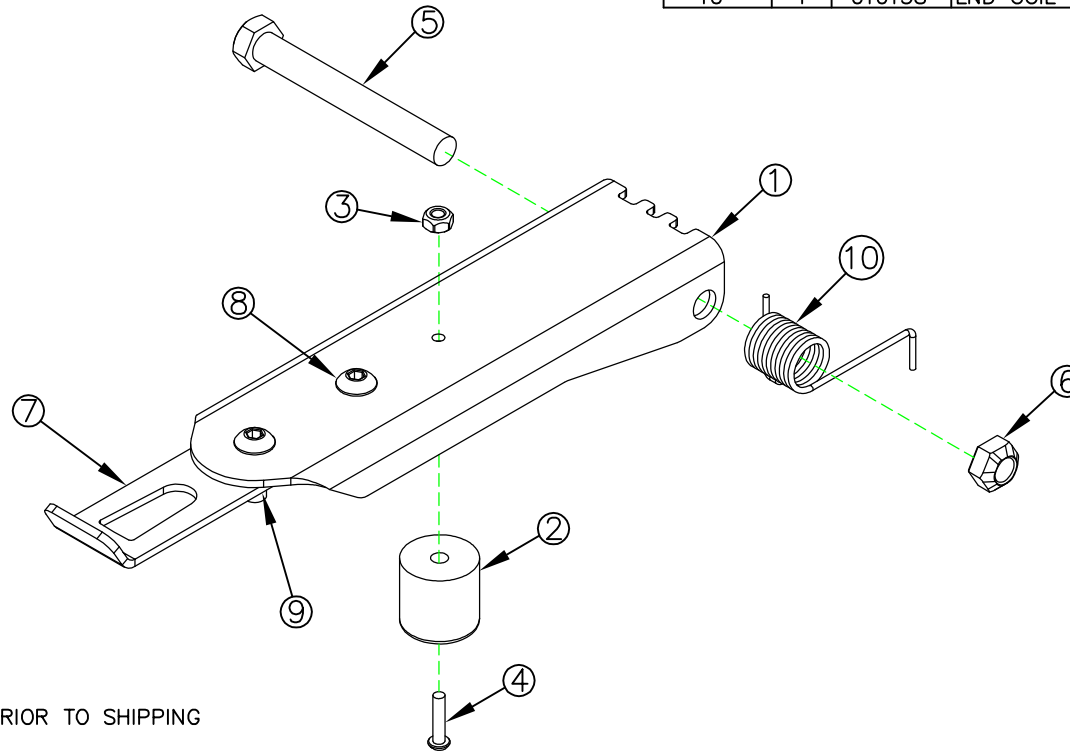


ITEM NO.	QTY.	PART NO.	DESCRIPTION
1	1	011229	LATCH BASE LND (G2-50)
2	1	010250	BUMPER 1.25 X 1.25
3	1	000602	10-24 NYLON LOCK NUT
4	1	010251	10-24 X 7/8" SLOT MACHINE SCREW
5	1	000544	1/2-13x4" HHCS GR5
6	1	000588	1/2-13 CROWN LOCK NUT
7	1	011230	LATCH TONGUE LND (G2-50)
8	2	000737	3/8-16 X 1 BUTTON HEAD CAP SCREW ZP
9	2	000553	3/8-16 LARGE FLANGE LOCK NUT
10	1	010138	LND COIL SPRING



NOTE: ASSEMBLE BASE AND TONGUE PRIOR TO SHIPPING

						THIRD ANGLE PROJECTION	FILENAME:	WOODBINE MFG. CO. BUS BROWN DRIVE WOODBINE, IOWA 51579						
							SYMBOLY PER ANSI Y14.5	NOTES:						
						DECIMAL MACHINE SAW, DRILL	2PLC .030	3PLC .015	DRAWN BY: JCB			712-647-2050		
B	11/11/11	10135 IS NOW 11229, 11230, 737, AND 553; 602 WAS 532			JAR	533	SHEAR, PUNCH FORM	.060	.030	DRAWN/DATE 1/25/10			<p>THE INFORMATION HERE IS CONFIDENTIAL AND MUST NOT BE USED IN ANYWAY DETRIMENTAL TO THE INTEREST OF WOODBINE MFG.</p>	
A	1/25/10	DRAWN IN AUTOCAD			JCB	259	TORCH, WELDING ROUGH CAST	.090	.060	APPVD/DATE				
REV.	DATE	CHANGE RECORD			BY	APPVD	ECN	DRAFT 2"	ANGULAR ±1"	SALES CATEGORY	PRODUCT LINE	SCALE 1:3	FIN. WT. 1.09	PART NO. 10461