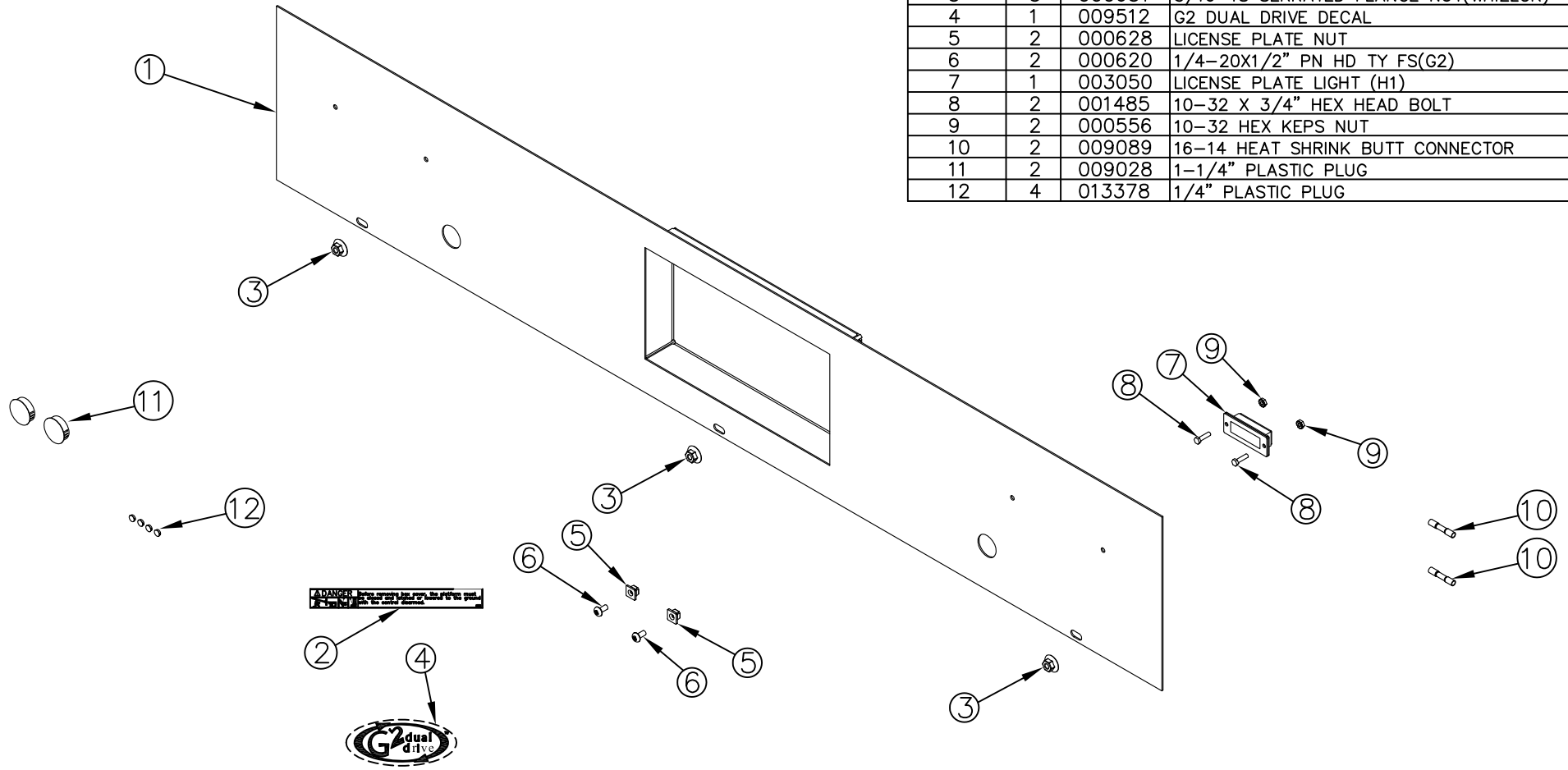


ITEM NO.	QTY.	PART NO.	DESCRIPTION
1	1	002860	G2 (65) BOX COVER COMPLETE
2	1	009556	BOX COVER DANGER DECAL
3	3	000631	5/16-18 SERRATED FLANGE NUT(WHIZLOK)
4	1	009512	G2 DUAL DRIVE DECAL
5	2	000628	LICENSE PLATE NUT
6	2	000620	1/4-20X1/2" PN HD TY FS(G2)
7	1	003050	LICENSE PLATE LIGHT (H1)
8	2	001485	10-32 X 3/4" HEX HEAD BOLT
9	2	000556	10-32 HEX KEPS NUT
10	2	009089	16-14 HEAT SHRINK BUTT CONNECTOR
11	2	009028	1-1/4" PLASTIC PLUG
12	4	013378	1/4" PLASTIC PLUG



REV.	DATE	CHANGE RECORD	BY	APPVD	ECN	DRAFT 2"	ANGULAR ±1"	SALES CATEGORY	PRODUCT LINE	SCALE 1:8	FIN. WT. 16.36	PART NO. 10286												
B	9/4/13	ADDED (2) 9028 & (4) 13378	LSB		955																			
A	12/3/09	DRAWN IN AUTOCAD	JCB		242																			
						THIRD ANGLE PROJECTION		FILENAME:																
								SYMBOLY PER ANSI Y14.5		NOTES:														
						<table border="1"> <thead> <tr> <th>DECIMAL</th> <th>2PLC</th> <th>3PLC</th> </tr> </thead> <tbody> <tr> <td>MACHINE SAW, DRILL</td> <td>.030</td> <td>.015</td> </tr> <tr> <td>SHEAR, PUNCH FORM</td> <td>.060</td> <td>.030</td> </tr> <tr> <td>TORCH, WELDING ROUGH CAST</td> <td>.090</td> <td>.060</td> </tr> </tbody> </table>		DECIMAL	2PLC	3PLC	MACHINE SAW, DRILL	.030	.015	SHEAR, PUNCH FORM	.060	.030	TORCH, WELDING ROUGH CAST	.090	.060	DRAWN BY: JCB				
DECIMAL	2PLC	3PLC																						
MACHINE SAW, DRILL	.030	.015																						
SHEAR, PUNCH FORM	.060	.030																						
TORCH, WELDING ROUGH CAST	.090	.060																						
								DRAWN/DATE: 12/3/09																
								APPVD/DATE		TITLE: G2 REPLACEMENT BOX COVER (65)														
										WOODBINE MFG. CO. BUS BROWN DRIVE WOODBINE, IOWA 51579 712-647-2050														
										THE INFORMATION HERE IS CONFIDENTIAL AND MUST NOT BE USED IN ANYWAY DETRIMENTAL TO THE INTEREST OF WOODBINE MFG.														