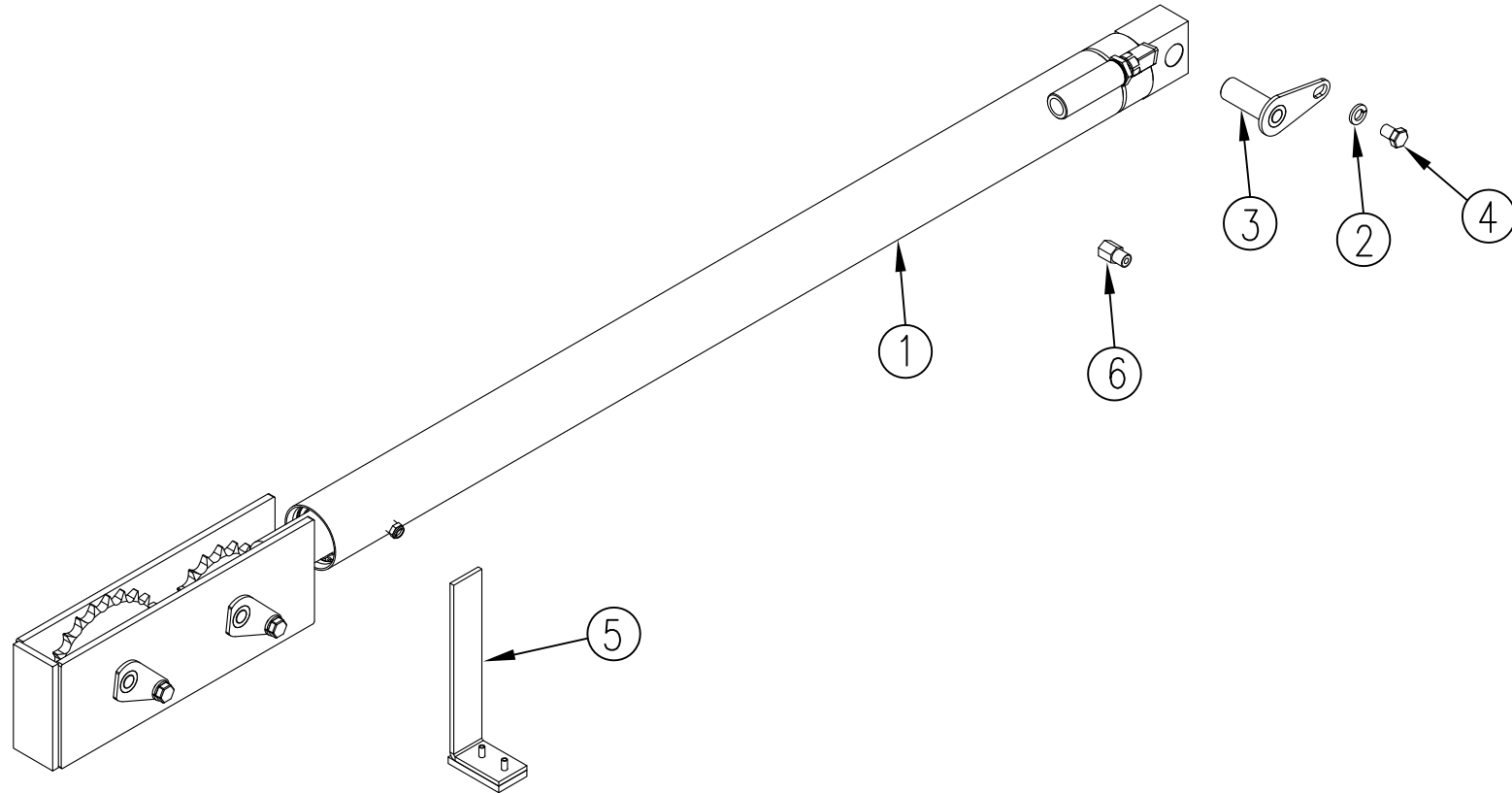


ITEM NO.	QTY.	PART NO.	DESCRIPTION
1	1	003436	RAIL CYLINDER COMPLETE WFC
2	1	000572	3/8" SPRING LOCK WASHER
3	1	002299	CYL SPROCKET PIN WLDMT (ALUM)
4	1	000508	3/8-16x3/4"HHCS GR5
5	1	006980	CYLINDER FOOT WITH BEARING PAD (N)
6	1	012964	#4 MORB TO #4 FEMALE NPT ADAPTOR (6405-4-4)
7	1	095073	RAIL SERIES CYLINDER REPLACEMENT INSTRUCTIONS



REV.	DATE	CHANGE RECORD	BY	APPVD	ECN	DRAFT 2"	ANGULAR ±1°	SALES CATEGORY	PRODUCT LINE	SCALE 1:6	FIN. WT.	PART NO. 9760												
D	11/14/13	ADDED (1) 012964	GDB		1004																			
C	1/13/11	ADDED (1) 95073	JCB		404																			
B	8/16/07	REDESIGNED KEEPER	JCB	KGJ																				
						THIRD ANGLE PROJECTION		FILENAME:		WOODBINE MFG. CO. BUS BROWN DRIVE WOODBINE, IOWA 51579														
								SYMBOLY PER ANSI Y14.5		NOTES:														
						<table border="1"> <thead> <tr> <th>DECIMAL</th> <th>2PLC</th> <th>3PLC</th> </tr> </thead> <tbody> <tr> <td>MACHINE SAW, DRILL</td> <td>.030</td> <td>.015</td> </tr> <tr> <td>SHEAR, PUNCH FORM</td> <td>.060</td> <td>.030</td> </tr> <tr> <td>TORCH, WELDING ROUGH CAST</td> <td>.090</td> <td>.060</td> </tr> </tbody> </table>		DECIMAL	2PLC	3PLC	MACHINE SAW, DRILL	.030	.015	SHEAR, PUNCH FORM	.060	.030	TORCH, WELDING ROUGH CAST	.090	.060	DRAWN BY. DJR		8712-647-2050		
DECIMAL	2PLC	3PLC																						
MACHINE SAW, DRILL	.030	.015																						
SHEAR, PUNCH FORM	.060	.030																						
TORCH, WELDING ROUGH CAST	.090	.060																						
								DRAWN/DATE 7/9/03																
								APPVD/DATE		<small>THE INFORMATION HERE IS CONFIDENTIAL AND MUST NOT BE USED IN ANYWAY DETRIMENTAL TO THE INTEREST OF WOODBINE MFG.</small>														
								TITLE		RAILGATE REPLACEMENT CYLINDER(79-95)														