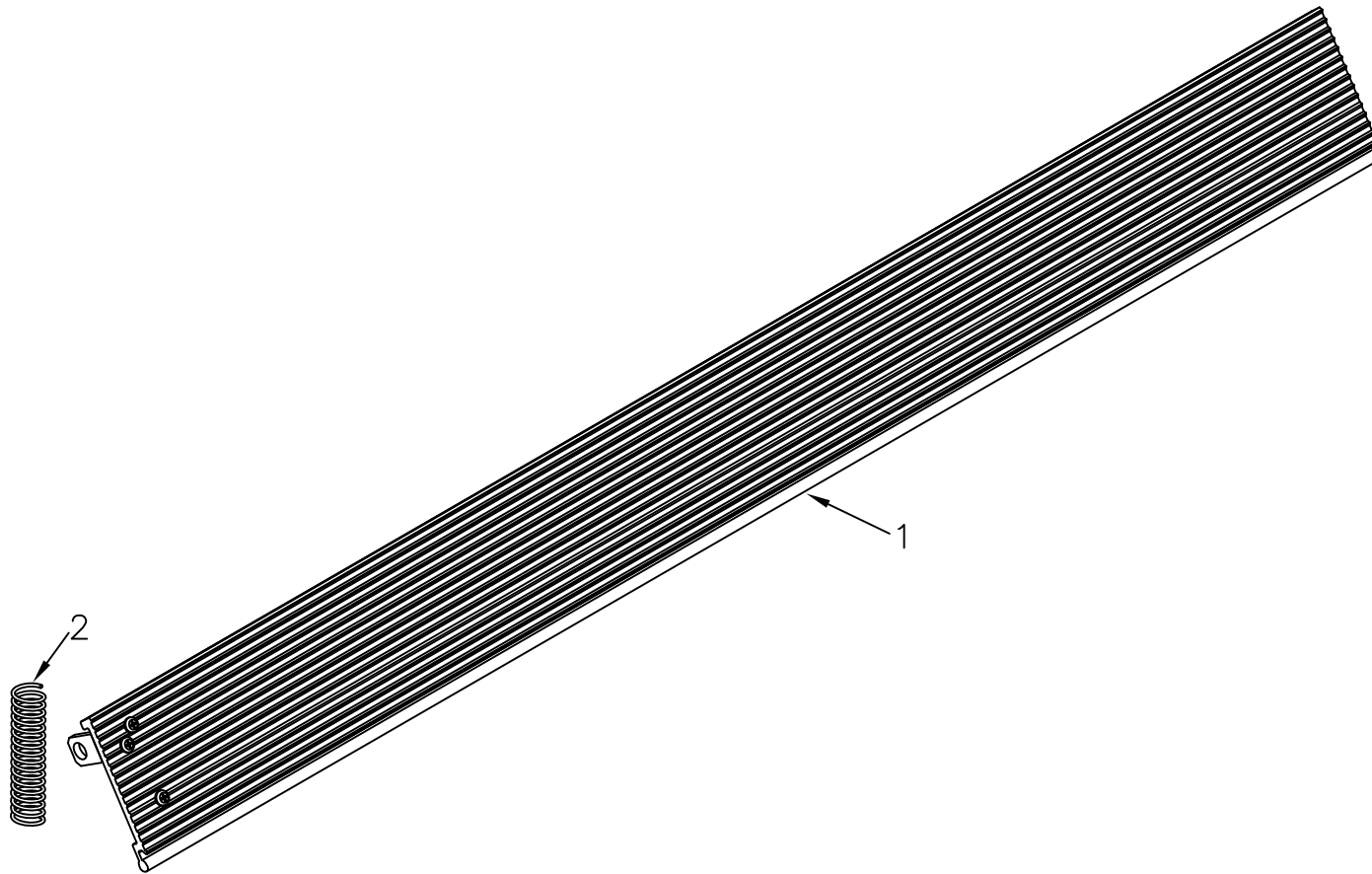


ITEM NO.	QTY.	PART NO.	DESCRIPTION
1	1	008368	ALUM. CARTSTOP TOP ASSEMBLY(L)73
2	1	003828	PLATFORM SPRING FOR RAIL CARTSTOP



REV.	DATE	CHANGE RECORD	BY	APPVD	ECN	DRAFT	ANGULAR	SALES CATEGORY	PRODUCT LINE	SCALE	FIN. WT.	PART NO.
						2'	±1'	45	1905	N		8363

THIRD ANGLE PROJECTION		FILENAME:		NOTES:	WOODBINE MFG. CO. BUS BROWN DRIVE WOODBINE, IOWA 51579 712-647-2050
		SYMBOLY PER ANSI Y14.5			
DECIMAL	2PLC	3PLC	DRAWN BY.		
MACHINE SAW, DRILL	.030	.015	DJR		
SHEAR, PUNCH FORM	.060	.030	DRAWN/DATE	THE INFORMATION HERE IS CONFIDENTIAL AND MUST NOT BE USED IN ANYWAY DETRIMENTAL TO THE INTEREST OF WOODBINE MFG.	
TORCH, WELDING ROUGH CAST	.090	.060	8/4/03		
			APPVD/DATE	TITLE	
				REPLACEMENT LEFT CARTSTOP ASSEMBLY(73) w/SPRING	

