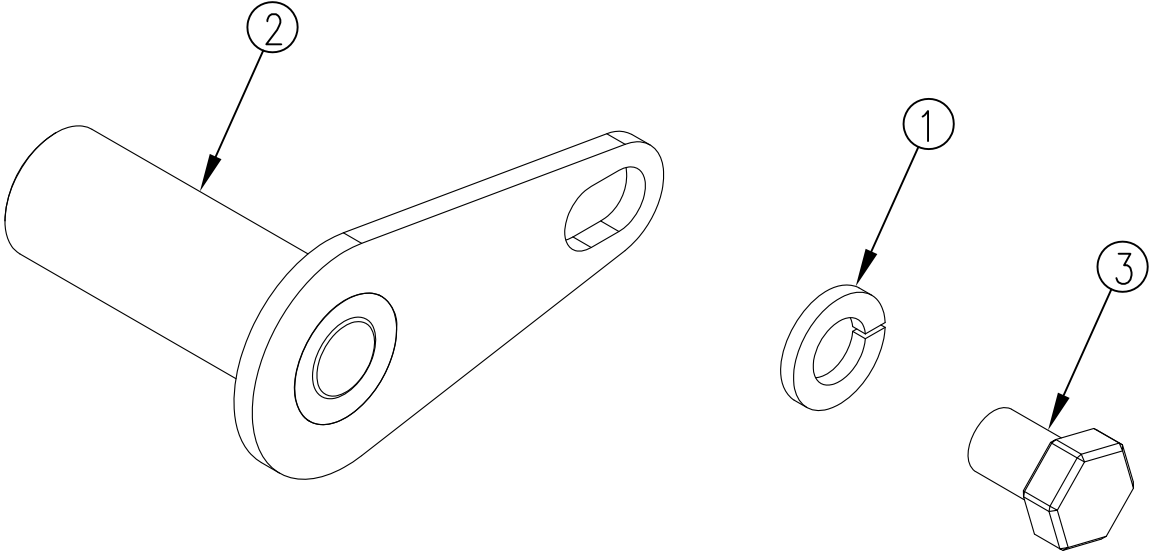


ITEM NO.	QTY.	PART NO.	DESCRIPTION
1	1	000572	3/8" SPRING LOCK WASHER
2	1	002299	CYL SPROCKET PIN WLDMT (ALUM)
3	1	000508	3/8-16x3/4"HHCS GR5



				THIRD ANGLE PROJECTION		FILENAME:		WOODBINE MFG. CO.				
						SYMBOLY PER ANSI Y14.5		BUS BROWN DRIVE				
				DECIMAL		DRAWN BY:		WOODBINE, IOWA 51579				
				MACHINE SAW, DRILL		JCB		712-647-2050				
				SHEAR, PUNCH FORM		DRAWN/DATE		The original TOMMY GATE hydraulic lift				
				TORCH, WELDING ROUGH CAST		10/4/07		THE INFORMATION HERE IS CONFIDENTIAL AND MUST NOT BE USED IN ANYWAY DETRIMENTAL TO THE INTEREST OF WOODBINE MFG.				
A	10/4/07	DRAWN IN AUTOCAD	JCB	KGJ		APPVD/DATE	TITLE					
REV.	DATE	CHANGE RECORD	BY	APPVD	ECN	10/4/07	REPLACEMENT RAIL CYLINDER PIN (ALUM)					
				DRAFT 2'		ANGULAR ±1'		SALES CATEGORY	PRODUCT LINE	SCALE	FIN. WT.	PART NO.
						45		8950	1:1		8179	