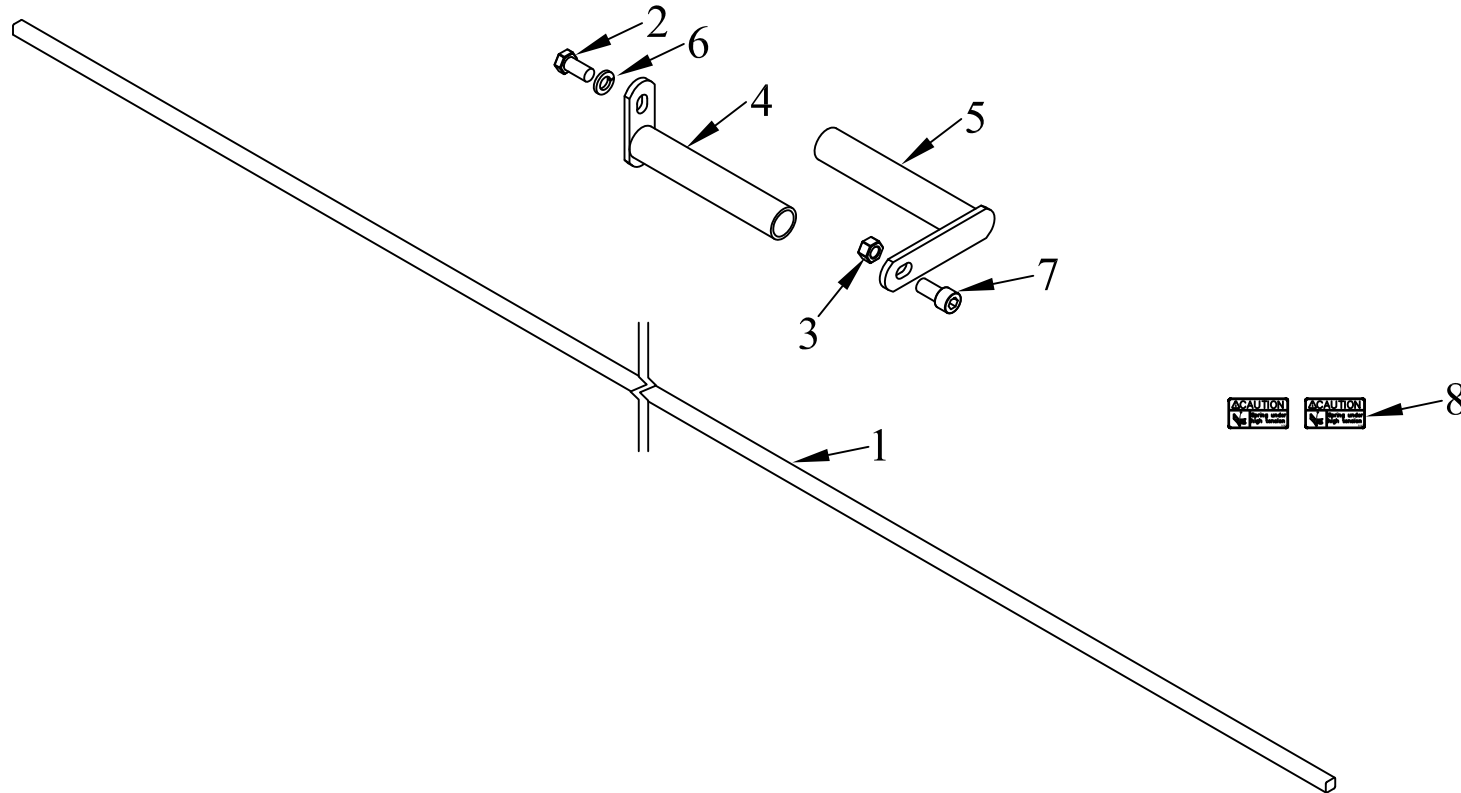


ITEM NO.	QTY.	PART NO.	DESCRIPTION
1	1	005045	1/2" TORSION SPRING(91)
2	1	000587	1/2-13x1" HHCS GR5
3	1	000588	1/2-13 CROWN LOCK NUT
4	1	007433	DRIVER'S SIDE SQ SPRING HOLDER
5	1	007435	PASS SIDE SQ SPRING HOLDER(86-91)
6	1	000573	1/2" SPRING LOCKWASHER
7	1	000604	1/2-13x1"USS SOC HD CAP STAINLESS
8	2	009540	WARNING DECAL - SPRING TENSION
9	1	095064	PLATFORM AND/OR TORSION SPRING (CABLE/G2)



REV.	DATE	CHANGE RECORD	BY	APPVD	ECN	THIRD ANGLE PROJECTION			FILENAME:		WOODBINE MFG. CO. BUS BROWN DRIVE WOODBINE, IOWA 51579 712-647-2050		
						DECIMAL	2PLC	3PLC	SYMBOLY PER ANSI Y14.5	NOTES:			
D	3/29/11	ADDED 95064	JCB		427	MACHINE SAW, DRILL	.030	.015	DRAWN BY. DJR		<small>THE INFORMATION HERE IS CONFIDENTIAL AND MUST NOT BE USED IN ANYWAY DETRIMENTAL TO THE INTEREST OF WOODBINE MFG.</small>		
C	11/15/10	ADDED (2) 9540	JCB		376	SHEAR, PUNCH FORM	.060	.030	DRAWN/DATE 1/18/05				
B	12/2/09	REPLACED 551 W/ 588; UPDATED DESCRIPTION	JCB		242	TORCH, WELDING ROUGH CAST	.090	.060	APPVD/DATE	TITLE			
										NEW SQ TORSION SPRING KIT(91/92)			
						DRAFT 2'	ANGULAR ±1'		SALES CATEGORY	PRODUCT LINE	SCALE N	FIN. WT. 9.71	PART NO. 8119