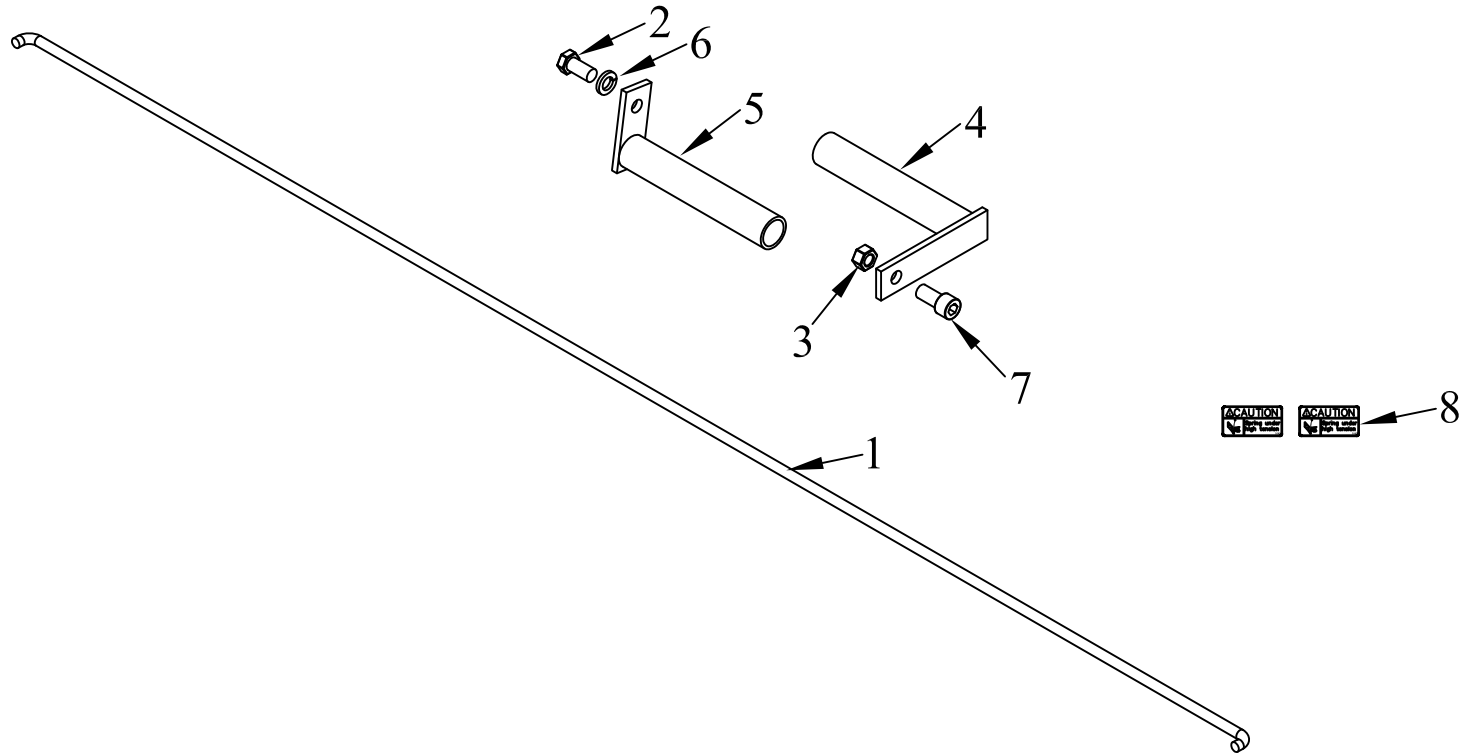


ITEM NO.	QTY.	PART NO.	DESCRIPTION
1	1	007871	.38"x70" TORSION SPRING(72EA)
2	1	000587	1/2-13x1" HHCS GR5
3	1	000588	1/2-13 CROWN LOCK NUT
4	1	007710	HINGE TUBE SPRING HOLDER-46EA PASS
5	1	007778	HINGE TUBE SPRING HOLDER-EA DRIVER
6	1	000573	1/2" SPRING LOCKWASHER
7	1	000604	1/2-13x1"USS SOC HD CAP STAINLESS
8	2	009540	WARNING DECAL - SPRING TENSION
9	1	095064	PLATFORM AND/OR TORSION SPRING (CABLE/G2)



NOTE: THIS TORSION SPRING TO BE USED ONLY ON ALUMINUM PLATFORMS WITH 2 1/2" HIGH LID ENDS AND 1 7/8" THICK PLATFORM.

REV.	DATE	CHANGE RECORD	BY	APPVD	ECN	DRAFT 2"	ANGULAR ±1°	SALES CATEGORY	PRODUCT LINE	SCALE N	FIN. WT. 5.55	PART NO. 8116												
C	3/29/11	ADDED 95064	JCB		427																			
B	11/15/10	ADDED (2) 9540	JCB		376																			
A	12/2/09	DRAWN IN AUTOCAD	JCB		242																			
						THIRD ANGLE PROJECTION		FILENAME:		WOODBINE MFG. CO. BUS BROWN DRIVE WOODBINE, IOWA 51579														
								SYMBOLY PER ANSI Y14.5		NOTES:														
						<table border="1"> <tr> <th>DECIMAL</th> <th>2PLC</th> <th>3PLC</th> </tr> <tr> <td>MACHINE SAW, DRILL</td> <td>.030</td> <td>.015</td> </tr> <tr> <td>SHEAR, PUNCH FORM</td> <td>.060</td> <td>.030</td> </tr> <tr> <td>TORCH, WELDING ROUGH CAST</td> <td>.090</td> <td>.060</td> </tr> </table>		DECIMAL	2PLC	3PLC	MACHINE SAW, DRILL	.030	.015	SHEAR, PUNCH FORM	.060	.030	TORCH, WELDING ROUGH CAST	.090	.060	DRAWN BY: JCB		712-647-2050		
DECIMAL	2PLC	3PLC																						
MACHINE SAW, DRILL	.030	.015																						
SHEAR, PUNCH FORM	.060	.030																						
TORCH, WELDING ROUGH CAST	.090	.060																						
								DRAWN/DATE: 12/2/09																
								APPVD/DATE		THE INFORMATION HERE IS CONFIDENTIAL AND MUST NOT BE USED IN ANYWAY DETRIMENTAL TO THE INTEREST OF WOODBINE MFG.														
								TITLE: EA TORSION SPRING KIT(72/73)																