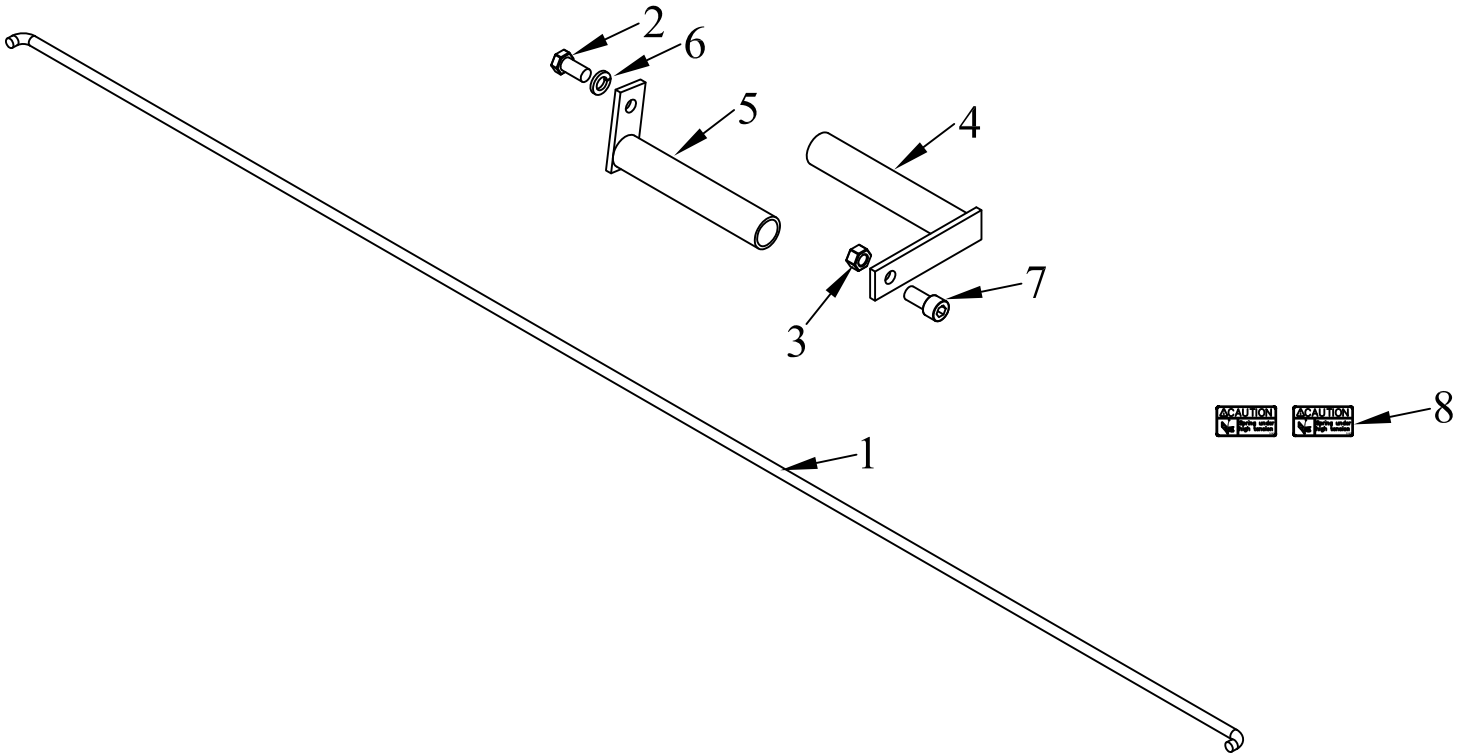



ITEM NO.	QTY.	PART NO.	DESCRIPTION
1	1	7873	.38"x84" TORSION SPRING(86EA)
2	1	587	1/2-13x1" HHCS GR5
3	1	588	1/2-13 CROWN LOCK NUT
4	1	7710	HINGE TUBE SPRING HOLDER-46EA PASS
5	1	7778	HINGE TUBE SPRING HOLDER-EA DRIVER
6	1	573	1/2" SPRING LOCKWASHER
7	1	604	1/2-13x1"USS SOC HD CAP STAINLESS
8	2	9540	WARNING DECAL - SPRING TENSION



NOTE: THIS TORSION SPRING TO BE USED ONLY ON ALUMINUM PLATFORMS WITH 2 1/2" HIGH LID ENDS AND 1 7/8" THICK PLATFORM.

REV.	DATE	CHANGE RECORD	BY	APPVD	ECN	DRAFT 2"	ANGULAR ±1°	SALES CATEGORY	PRODUCT LINE	SCALE N	FIN. WT. 6.08	PART NO. 8032
D	11/16/10	ADDED (2) 9540	JCB		376			FILENAME:	WOODBINE MFG. CO. BUS BROWN DRIVE WOODBINE, IOWA 51579 712-647-2050 			
C	12/2/09	UPDATED DESCRIPTION	JCB		242			SYMBOLY PER ANSI Y14.5				
B	8/27/08	ADDED NOTE	LSB	LSB				DRAWN BY. DJR	THE INFORMATION HERE IS CONFIDENTIAL AND MUST NOT BE USED IN ANYWAY DETRIMENTAL TO THE INTEREST OF WOODBINE MFG.			
A	8/8/06	UPDATED BOM	JCB	KGJ				DRAWN/DATE 8/24/04				
								APPVD/DATE				
								TITLE				