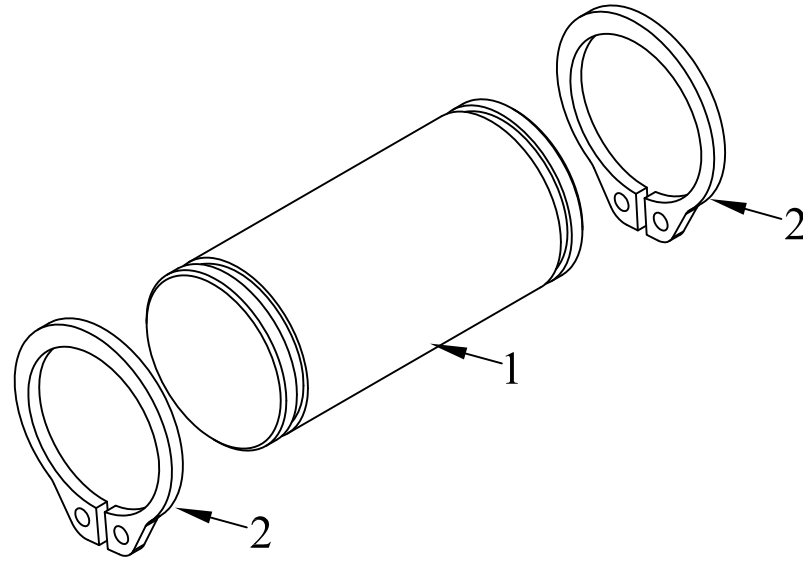


ITEM NO.	QTY.	PART NO.	DESCRIPTION
1	1	007637	0.5" DIA X 1.079" EA PLAT CHAIN PIN (34-40)
2	2	000614	1/2" EXTERNAL SNAP RING



					THIRD ANGLE PROJECTION			FILENAME:			WOODBINE MFG. CO. BUS BROWN DRIVE WOODBINE, IOWA 51579																	
								SYMBOLY PER ANSI Y14.5			NOTES:																	
					<table border="1"> <thead> <tr> <th>DECIMAL</th> <th>2PLC</th> <th>3PLC</th> </tr> </thead> <tbody> <tr> <td>MACHINE SAW, DRILL</td> <td>.030</td> <td>.015</td> </tr> <tr> <td>SHEAR, PUNCH FORM</td> <td>.060</td> <td>.030</td> </tr> <tr> <td>TORCH, WELDING ROUGH CAST</td> <td>.090</td> <td>.060</td> </tr> </tbody> </table>			DECIMAL	2PLC	3PLC	MACHINE SAW, DRILL	.030	.015	SHEAR, PUNCH FORM	.060	.030	TORCH, WELDING ROUGH CAST	.090	.060	DRAWN BY: DJR			812-647-2050					
DECIMAL	2PLC	3PLC																										
MACHINE SAW, DRILL	.030	.015																										
SHEAR, PUNCH FORM	.060	.030																										
TORCH, WELDING ROUGH CAST	.090	.060																										
								DRAWN/DATE 12/8/03			<small>THE INFORMATION HERE IS CONFIDENTIAL AND MUST NOT BE USED IN ANYWAY DETRIMENTAL TO THE INTEREST OF WOODBINE MFG.</small>																	
								APPVD/DATE			TITLE EA REPLACEMENT PLATFORM CHAIN PIN(34&40)																	
REV.	DATE	CHANGE RECORD			BY	APPVD	ECN	DRAFT 2'	ANGULAR ±1'	SALES CATEGORY 45	PRODUCT LINE 8950	SCALE N	FIN. WT. 0.06	PART NO. 4712														