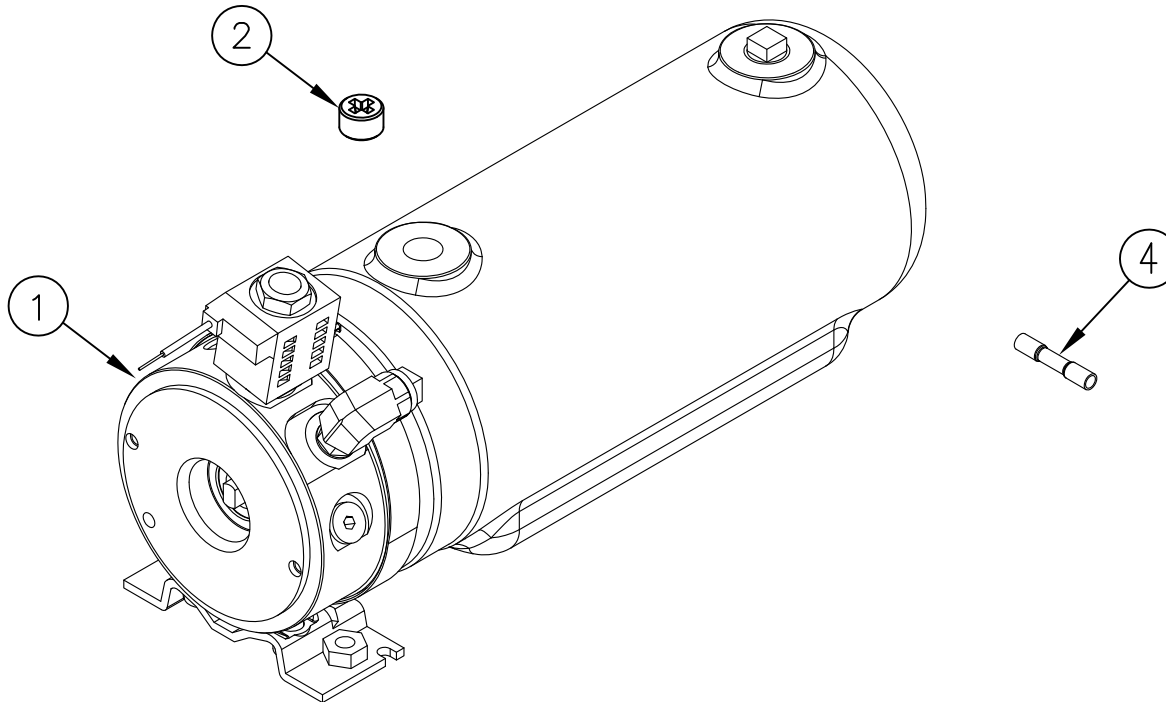


ITEM NO.	QTY.	PART NO.	DESCRIPTION
1	1	010383	MONARCH PUMP AND 3QT CABLE TANK (FOR REPAIR)
2	1	004403*	VENT PLUG
3	0.625 GAL.	009034	HYDRAULIC OIL
4	1	009089	16-14 HEAT SHRINK BUTT CONNECTOR

*ACCOUNTING-DO NOT USE FOR B.O.M.



REV.	DATE	CHANGE RECORD	BY	APPVD	ECN	DRAFT 2"	ANGULAR ±1"	SALES CATEGORY	PRODUCT LINE	SCALE	FIN. WT.	PART NO.
B	11/18/10	REPLACED 4298, 4331, AND 4350 WITH 10383; ADDED (1) 9089	JCB		370							
A	9/10/08	ADDED PN 9034 TO BOM	JCB	JCB								
						THIRD ANGLE PROJECTION	FILENAME:		WOODBINE MFG. CO. BUS BROWN DRIVE WOODBINE, IOWA 51579			
							SYMBOLY PER ANSI Y14.5		NOTES:			
						DECIMAL	2PLC	3PLC	DRAWN BY.			
						MACHINE SAW, DRILL	.030	.015	DJR			
						SHEAR, PUNCH FORM	.060	.030	DRAWN/DATE			
						TORCH, WELDING ROUGH CAST	.090	.060	8/18/04			
									APPVD/DATE		TITLE	
											M319 PUMP (ONLY) W/ 3QT TANK (2500PSI)**1346 THRU 1350	
											712-647-2050	
											 THE INFORMATION HERE IS CONFIDENTIAL AND MUST NOT BE USED IN ANYWAY DETRIMENTAL TO THE INTEREST OF WOODBINE MFG.	
											4279	