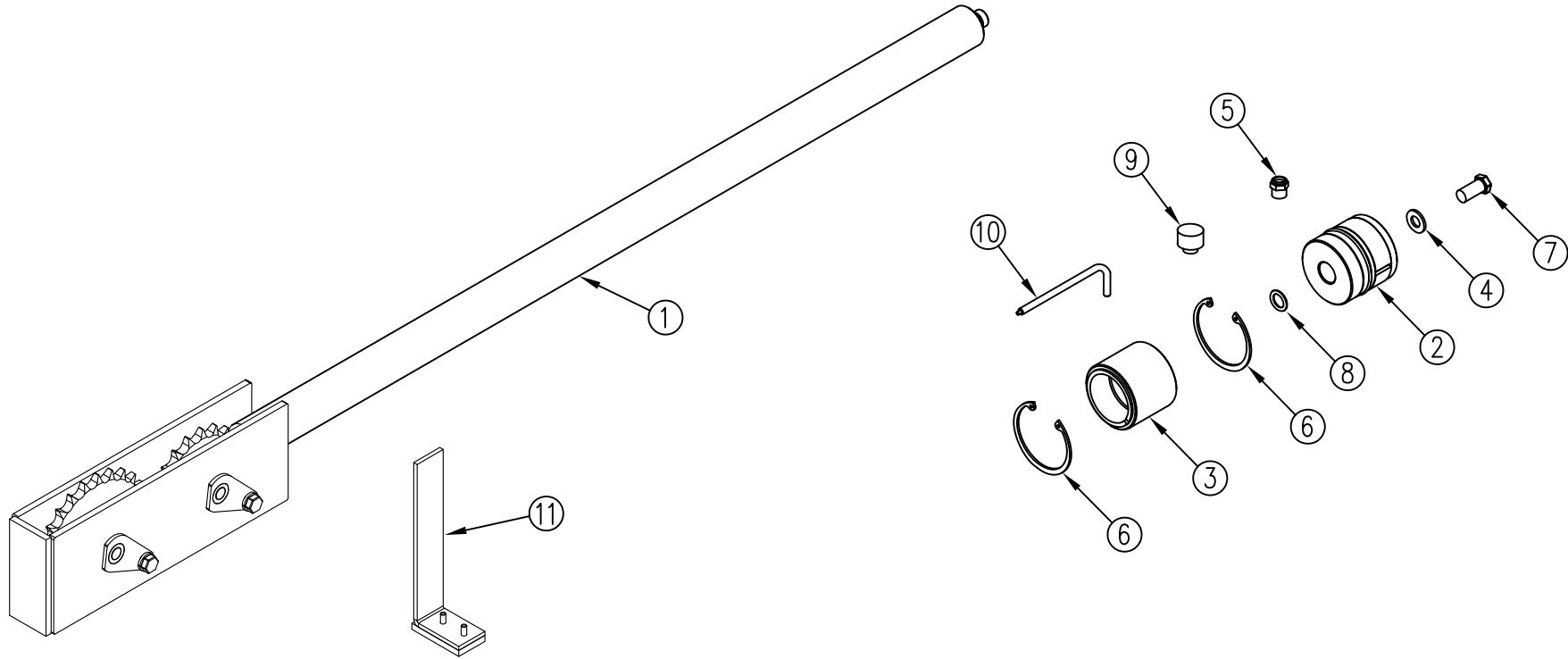
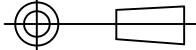


ITEM NO.	QTY.	PART NO.	DESCRIPTION
1	1	003239	1.5"DIA.x35.5" CYLINDER SHAFT w/SPROCKETS
2	1	007444	1.980" PISTON W/ U-CUP & WEAR RING(RAIL)
3	1	007446	RAIL GUIDE BUSHING W/ WEAR RING & WIPER
4	1	000599	5/16 SAE THRU HARD WASHER
5	1	000600	VENT PLUG (RAIL TWIN CYL)
6	2	004546	2" INTERNAL SNAP RING (3000-X200)
7	1	000586	5/16-18X3/4" HHCS GR5
8	1	004556	5/8 O-RING 2-111
9	1	001108	CYLINDER PORT ASSEMBLY PLUG(RAIL)
10	1	001109	SNAP RING REMOVAL TOOL
11	1	006980	CYLINDER FOOT WITH BEARING PAD (N)
12	1	095074	RAIL SERIES CYLINDER SEAL REPLACEMENT INSTRUCTIONS



REV.	DATE	CHANGE RECORD	BY	APPVD	ECN	DRAFT	ANGULAR	SALES CATEGORY	PRODUCT LINE	SCALE	FIN. WT.	PART NO.
						2"	±1°			1:6		3221
C	1/13/11	ADDED (1) 6980 AND (1) 95074; REPLACED 1110 WITH INDIVIDUAL PARTS	JCB		404							
B	8/22/07	REDESIGNED KEEPERS	JCB	KGJ								

THIRD ANGLE PROJECTION



DECIMAL 2PLC 3PLC

MACHINE SAW, DRILL .030 .015

SHEAR, PUNCH FORM .060 .030

TORCH, WELDING ROUGH CAST .090 .060

FILENAME:

SYMBOLY PER ANSI Y14.5

DRAWN BY. DJR

DRAWN/DATE 7/11/03

APPVD/DATE

TITLE

NOTES:

WOODBINE MFG. CO.
BUS BROWN DRIVE
WOODBINE, IOWA 51579

712-647-2050



THE INFORMATION HERE IS CONFIDENTIAL AND MUST NOT BE USED IN ANYWAY DETRIMENTAL TO THE INTEREST OF WOODBINE MFG.

CYL SHAFT w/SPROCKETS ASY(RAILNWSTYL)