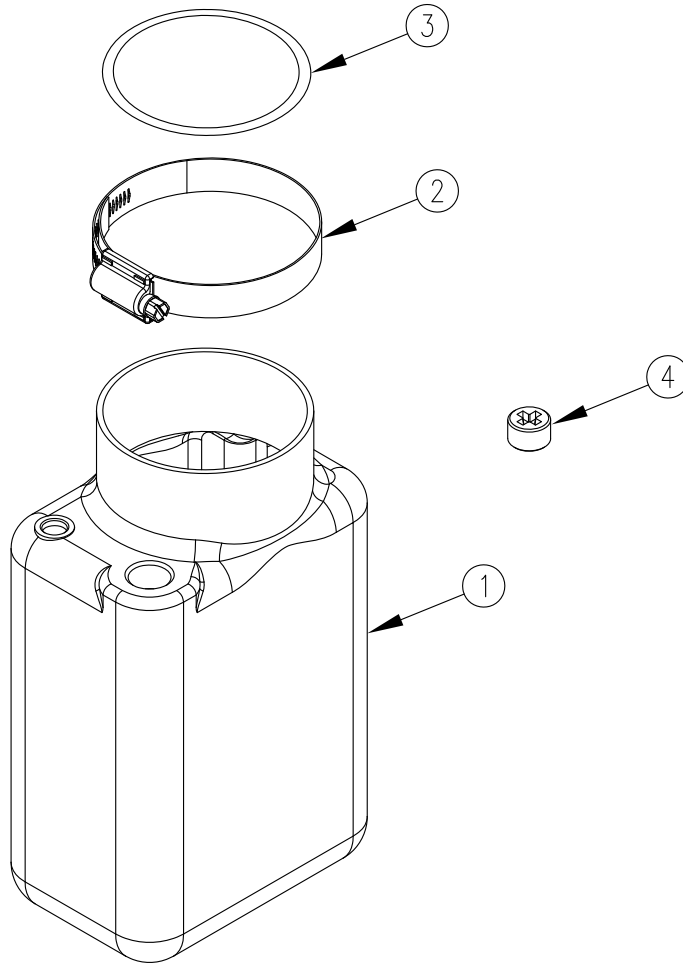


ITEM NO.	QTY.	PART NO.	DESCRIPTION
1	1	001496	650 TANK(ONLY)
2	1	004194	650 TANK HOSE CLAMP
3	1	004193	650 TANK O-RING
4	1	004403	VENT PLUG
5	1	095191	POWER UNIT, MOTOR, OR TANK REPL. INSTR.



				THIRD ANGLE PROJECTION			FILENAME:		WOODBINE MFG. CO. BUS BROWN DRIVE WOODBINE, IOWA 51579															
							SYMBOLGY PER ANSI Y14.5		NOTES:															
				<table border="1"> <thead> <tr> <th>DECIMAL</th> <th>2PLC</th> <th>3PLC</th> </tr> </thead> <tbody> <tr> <td>MACHINE SAW, DRILL</td> <td>.030</td> <td>.015</td> </tr> <tr> <td>SHEAR, PUNCH FORM</td> <td>.060</td> <td>.030</td> </tr> <tr> <td>TORCH, WELDING ROUGH CAST</td> <td>.090</td> <td>.060</td> </tr> </tbody> </table>			DECIMAL	2PLC	3PLC	MACHINE SAW, DRILL	.030	.015	SHEAR, PUNCH FORM	.060	.030	TORCH, WELDING ROUGH CAST	.090	.060	DRAWN BY. DJR		712-647-2050			
DECIMAL	2PLC	3PLC																						
MACHINE SAW, DRILL	.030	.015																						
SHEAR, PUNCH FORM	.060	.030																						
TORCH, WELDING ROUGH CAST	.090	.060																						
							DRAWN/DATE 8/18/05		THE INFORMATION HERE IS CONFIDENTIAL AND MUST NOT BE USED IN ANYWAY DETRIMENTAL TO THE INTEREST OF WOODBINE MFG.															
							APPVD/DATE		TITLE (650) REPLACEMENT TANK															
G	1/4/15	ADDED 95191		JCB		1549	SALES CATEGORY		PRODUCT LINE	SCALE 1:3	FIN. WT.	PART NO. 2728												
REV.	DATE	CHANGE RECORD		BY	APPVD	ECN	DRAFT 2'		ANGULAR ±1'															