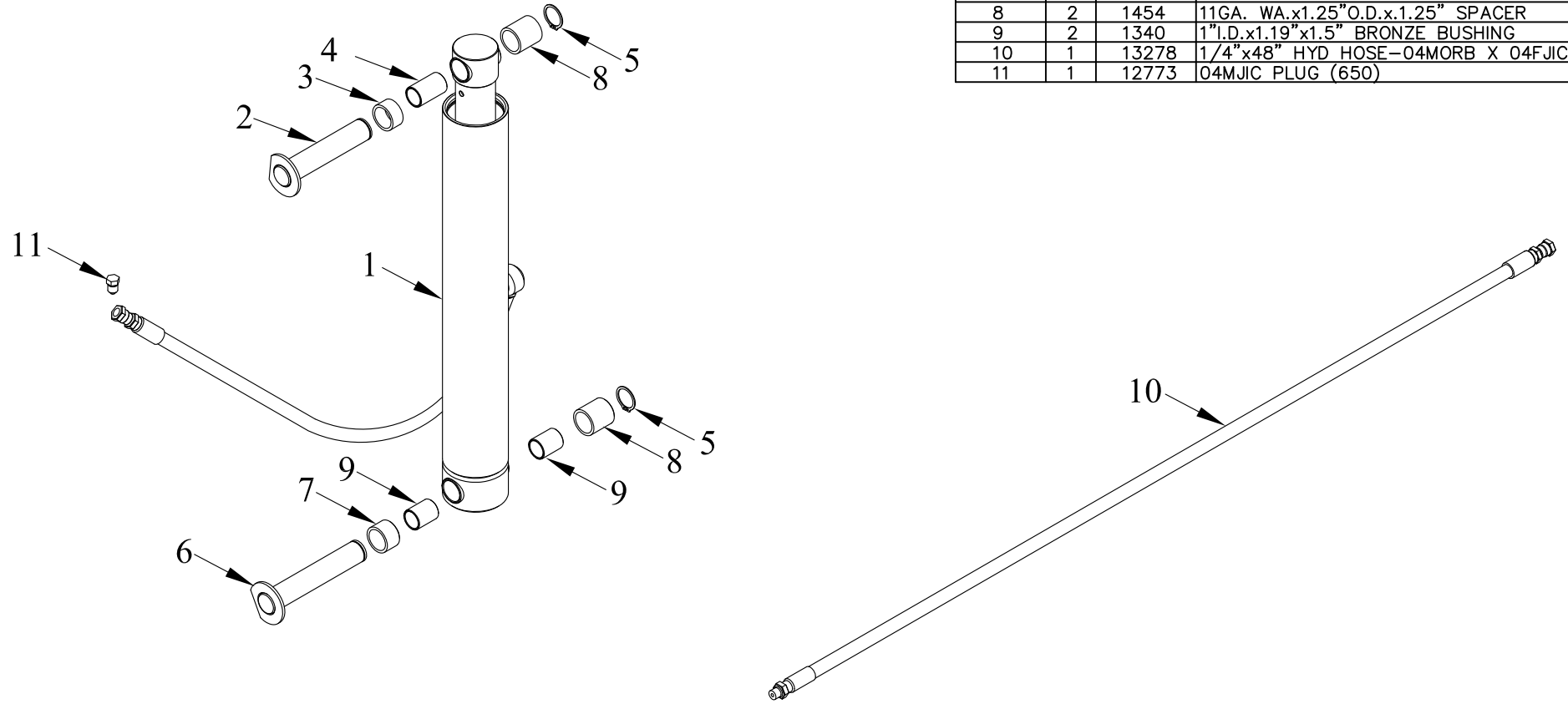


ITEM NO.	QTY.	PART NO.	DESCRIPTION
1	1	14503	650 CYLINDER COMPLETE W/ 37" HOSE
2	1	1333	1"DIA.x5.13" PIN w/WELDED LUG
3	1	1456	11GA. WA.x1.25"O.D.x.63" SPACER
4	1	1423	1"I.D.x1.19"x2" BRONZE BUSHING
5	2	1406	1" EXTERNAL SNAP RING (5100-1.00)
6	1	1334	1"DIA.x5.75" PIN w/WELDED LUG
7	1	1458	11GA. WA.x1.25"O.D.x.75" SPACER
8	2	1454	11GA. WA.x1.25"O.D.x.1.25" SPACER
9	2	1340	1"I.D.x1.19"x1.5" BRONZE BUSHING
10	1	13278	1/4"x48" HYD HOSE-04MORB X 04FJIC(72)
11	1	12773	04MJIC PLUG (650)



NOTE: CYLINDER TO BE SUPPLIED WITHOUT HYDRAULIC OIL

REV.	DATE	CHANGE RECORD	BY	APPVD	ECN	DRAFT 2'	ANGULAR ±1'	SALES CATEGORY	PRODUCT LINE	SCALE 1:7	FIN. WT.	PART NO. 2725
E	12/28/15	ADDED (1) 12773 AND NOTE	JCB		1543	THIRD ANGLE PROJECTION  DECIMAL MACHINE SAW, DRILL SHEAR, PUNCH FORM TORCH, WELDING ROUGH CAST DRAFT 2' ANGULAR ±1'		FILENAME:	WOODBINE MFG. CO. BUS BROWN DRIVE WOODBINE, IOWA 51579			
D	9/23/15	14503 WAS 1394; ADDED 13278	JCB		1483			SYMBOLY PER ANSI Y14.5	NOTES:			
C.1	10/2/14	ADDED HYDRAULIC HOSE TO GRAPHIC	AAS					DRAWN BY. DJR	712-647-2050			
C	2/25/13	REPLACED 1455 W/ 1454	LSB		849			DRAWN/DATE 8/4/05	THE INFORMATION HERE IS CONFIDENTIAL AND MUST NOT BE USED IN ANYWAY DETRIMENTAL TO THE INTEREST OF WOODBINE MFG.			
B	2/11/13	ADDED (2) 1340, AND (1) 1423	GDB		838			APPVD/DATE	TITLE REPLACEMENT 650 CYLINDER			