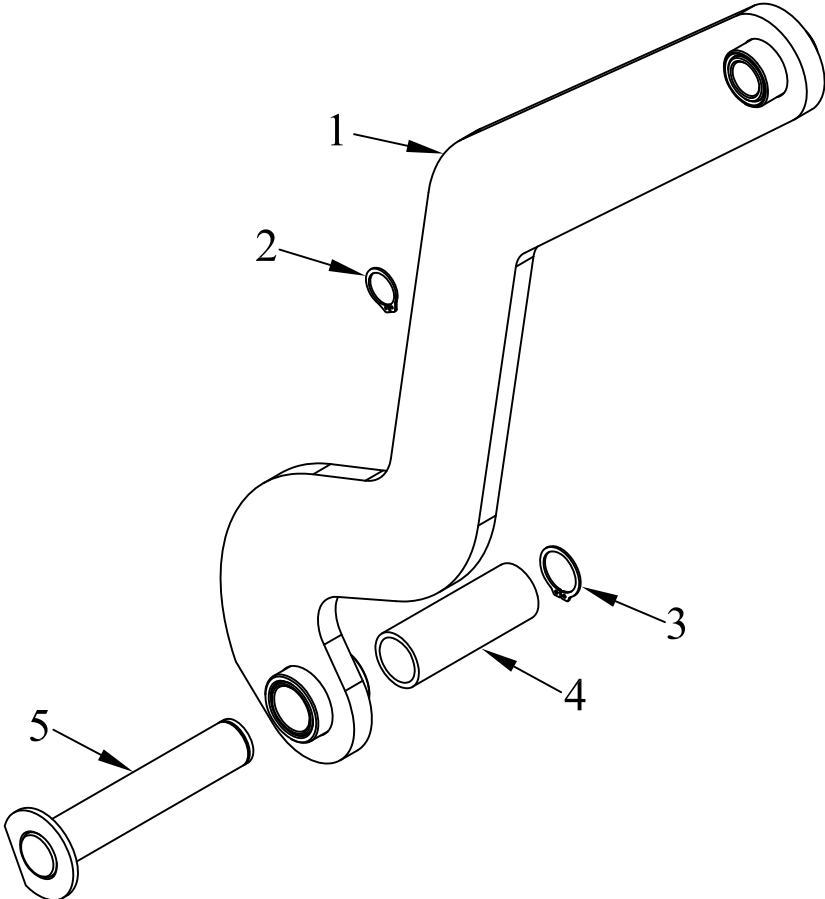


ITEM NO.	QTY.	PART NO.	DESCRIPTION
1	1	1409	650 LIFT ARM WITH BUSHINGS
2	1	1405	3/4" EXTERNAL SNAP RING(5100-.75)
3	1	1406	1" EXTERNAL SNAP RING(5100-1.00)
4	1	1457	11GA. WA.x1.25"O.D.x3.44" SPACER
5	1	1334	1"DIA.x5.75" PIN w/WELDED LUG



					THIRD ANGLE PROJECTION			FILENAME:		WOODBINE MFG. CO. BUS BROWN DRIVE WOODBINE, IOWA 51579															
								SYMBOLY PER ANSI Y14.5				NOTES:													
					<table border="1"> <tr> <th>DECIMAL</th> <th>2PLC</th> <th>3PLC</th> </tr> <tr> <td>MACHINE SAW, DRILL</td> <td>.030</td> <td>.015</td> </tr> <tr> <td>SHEAR, PUNCH FORM</td> <td>.060</td> <td>.030</td> </tr> <tr> <td>TORCH, WELDING ROUGH CAST</td> <td>.090</td> <td>.060</td> </tr> </table>			DECIMAL	2PLC	3PLC	MACHINE SAW, DRILL			.030	.015	SHEAR, PUNCH FORM	.060	.030	TORCH, WELDING ROUGH CAST	.090	.060	DRAWN BY. DJR		812-647-2050	
DECIMAL	2PLC	3PLC																							
MACHINE SAW, DRILL	.030	.015																							
SHEAR, PUNCH FORM	.060	.030																							
TORCH, WELDING ROUGH CAST	.090	.060																							
								DRAWN/DATE 8/3/05		<small>THE INFORMATION HERE IS CONFIDENTIAL AND MUST NOT BE USED IN ANYWAY DETRIMENTAL TO THE INTEREST OF WOODBINE MFG.</small>															
								APPVD/DATE				TITLE REPLACEMENT 650 LIFT ARM													
REV.	DATE	CHANGE RECORD			BY	APPVD	ECN	DRAFT 2'	ANGULAR ±1'	SALES CATEGORY 45	PRODUCT LINE 8900	SCALE N	FIN. WT.	PART NO. 2724											