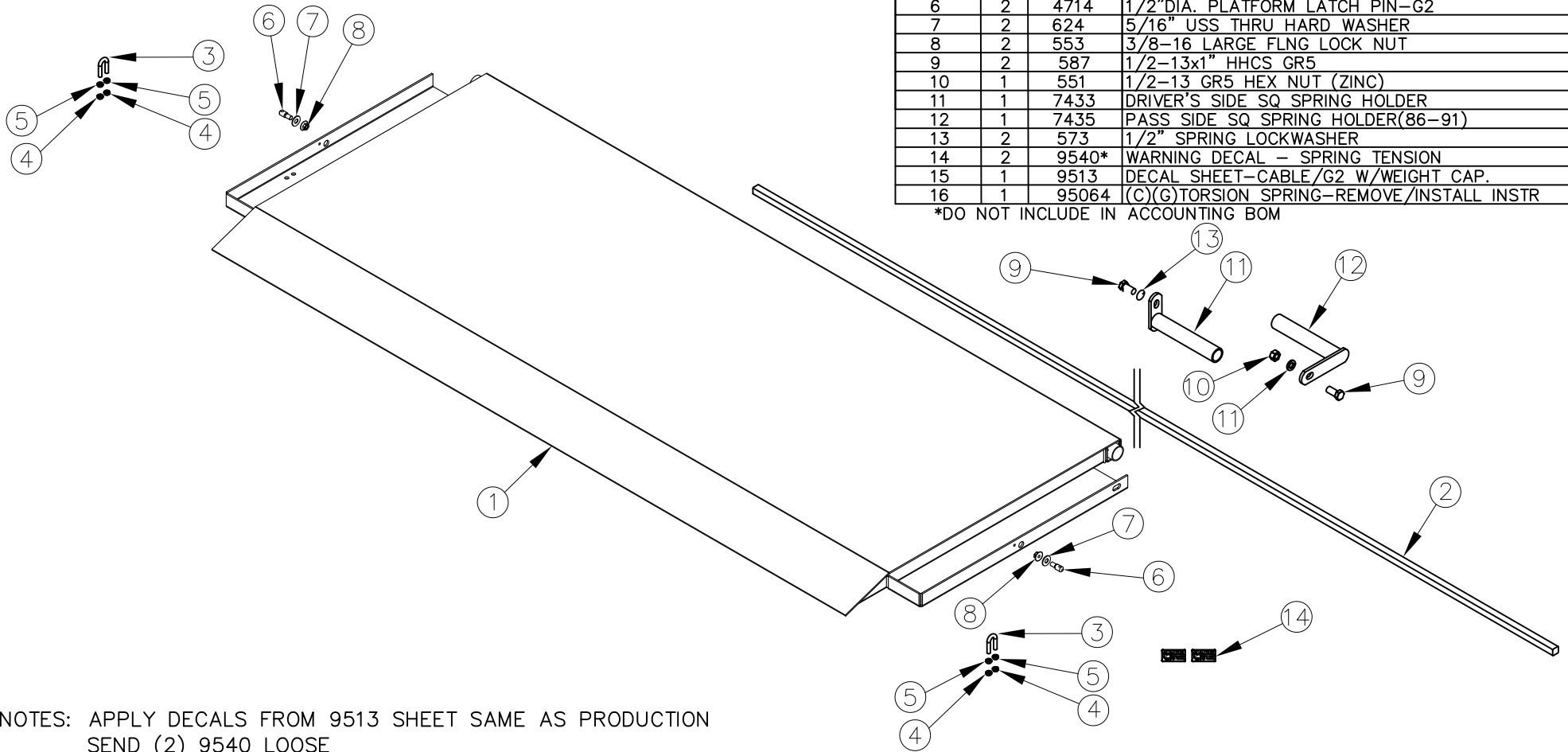


ITEM NO.	QTY.	PART NO.	DESCRIPTION
1	1	2563	G2 87-50 35+6" TP PLATFORM COMPLETE
2	1	5044	1/2" TORSION SPRING (86)
3	2	4727	3/8"U-BOLT(SHORT)x16x7/8x1-1/2
4	4	605	3/8-16 USS CROWN LOCK NUT
5	4	550	3/8-16 GR5 HEX NUT
6	2	4714	1/2"DIA. PLATFORM LATCH PIN-G2
7	2	624	5/16" USS THRU HARD WASHER
8	2	553	3/8-16 LARGE FLNG LOCK NUT
9	2	587	1/2-13x1" HHCS GR5
10	1	551	1/2-13 GR5 HEX NUT (ZINC)
11	1	7433	DRIVER'S SIDE SQ SPRING HOLDER
12	1	7435	PASS SIDE SQ SPRING HOLDER(86-91)
13	2	573	1/2" SPRING LOCKWASHER
14	2	9540*	WARNING DECAL - SPRING TENSION
15	1	9513	DECAL SHEET-CABLE/G2 W/WEIGHT CAP.
16	1	95064	(C)(G)TORSION SPRING-REMOVE/INSTALL INSTR

*DO NOT INCLUDE IN ACCOUNTING BOM



NOTES: APPLY DECALS FROM 9513 SHEET SAME AS PRODUCTION
SEND (2) 9540 LOOSE

REV.	DATE	CHANGE RECORD	BY	APPVD	ECN	DRAFT	ANGULAR	SCALE	FIN. WT.	PART NO.
C	1/24/17	ADDED(1)95064, (1)9513, (2) 9540, (2) 4714, (2) 624, (2) 553 REMOVED (1) 2020	AAS		1783	MACHINE SAW,DRILL	.030 .015	1:14	187.3	2527
B	3/15/10	REMOVED PN8118; ADDED PN5044, 587, 551, 7433, 7434, 573	MTC		274	SHEAR, PUNCH FORM	.060 .030			
A	2/4/09	DRAWN IN AUTOCAD	JCB	JCB		TORCH, WELDING ROUGH CAST	.090 .060			
						DRAFT 2'	ANGULAR ±1'			

THIRD ANGLE PROJECTION

FILENAME:

SYMBOLY PER ANSI Y14.5

DRAWN BY: JCB

DRAWN/DATE 2/4/09

NOTES:

WOODBINE MFG. CO.
BUS BROWN DRIVE
WOODBINE, IOWA 51579

THE INFORMATION HERE IS CONFIDENTIAL AND MUST NOT BE USED IN ANYWAY DETRIMENTAL TO THE INTEREST OF WOODBINE MFG.