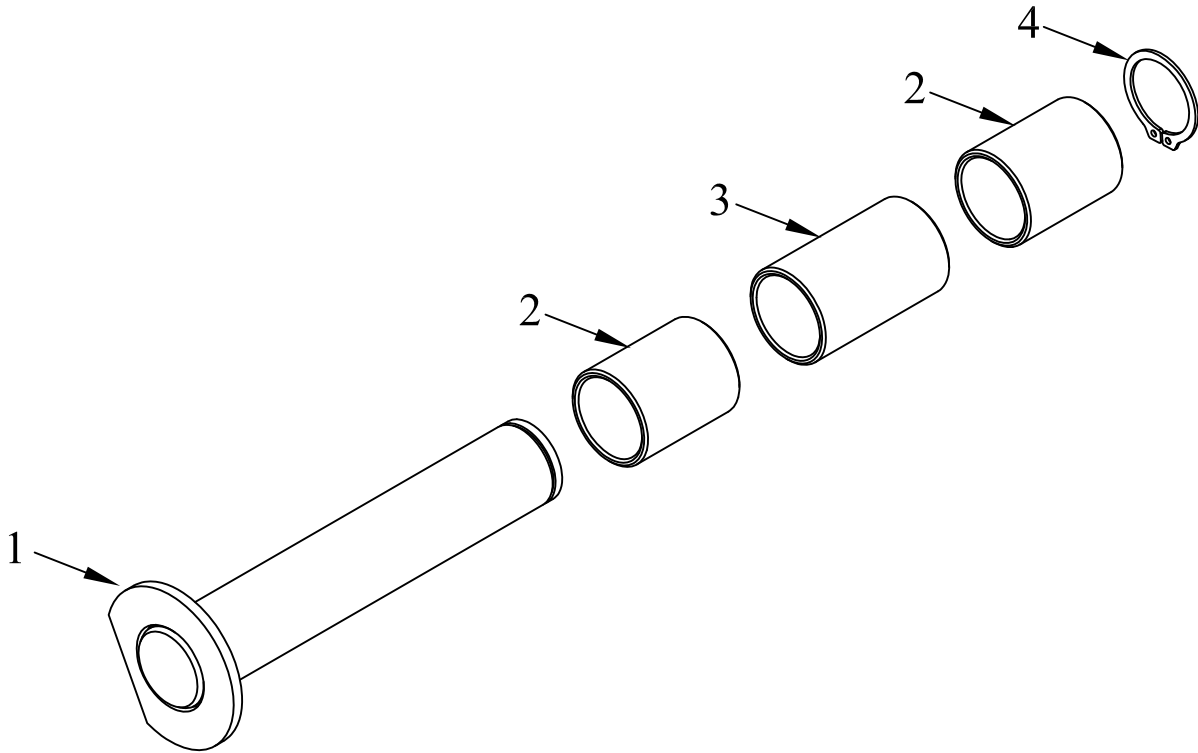


ITEM NO.	QTY.	PART NO.	DESCRIPTION
1	1	1334	1"DIA.x5.75" PIN w/WELDED LUG
2	2	1340	1"I.D.x1.19"x1.5" BRONZE BUSHING
3	1	1423	1"I.D.x1.19"x2" BRONZE BUSHING
4	1	1406	1"EXTERNAL SNAP RING(5100-1.00)



				THIRD ANGLE PROJECTION			FILENAME:		WOODBINE MFG. CO.															
							SYMBOLY PER ANSI Y14.5		BUS BROWN DRIVE															
				<table border="1"> <thead> <tr> <th>DECIMAL</th> <th>2PLC</th> <th>3PLC</th> </tr> </thead> <tbody> <tr> <td>MACHINE SAW, DRILL</td> <td>.030</td> <td>.015</td> </tr> <tr> <td>SHEAR, PUNCH FORM</td> <td>.060</td> <td>.030</td> </tr> <tr> <td>TORCH, WELDING ROUGH CAST</td> <td>.090</td> <td>.060</td> </tr> </tbody> </table>			DECIMAL	2PLC	3PLC	MACHINE SAW, DRILL	.030	.015	SHEAR, PUNCH FORM	.060	.030	TORCH, WELDING ROUGH CAST	.090	.060	DRAWN BY. DJR		NOTES:		WOODBINE, IOWA 51579	
DECIMAL	2PLC	3PLC																						
MACHINE SAW, DRILL	.030	.015																						
SHEAR, PUNCH FORM	.060	.030																						
TORCH, WELDING ROUGH CAST	.090	.060																						
							DRAWN/DATE 7/25/05		712-647-2050															
							APPVD/DATE																	
							TITLE		THE INFORMATION HERE IS CONFIDENTIAL AND MUST NOT BE USED IN ANYWAY DETRIMENTAL TO THE INTEREST OF WOODBINE MFG.															
							SALES CATEGORY 45		650 PIN KIT(LOWER 4x4 LIFT TUBE)															
REV.	DATE	CHANGE RECORD			BY	APPVD	ECN	DRAFT 2'	ANGULAR ±1'	PRODUCT LINE 8900	SCALE N	FIN. WT.	PART NO. 2207											