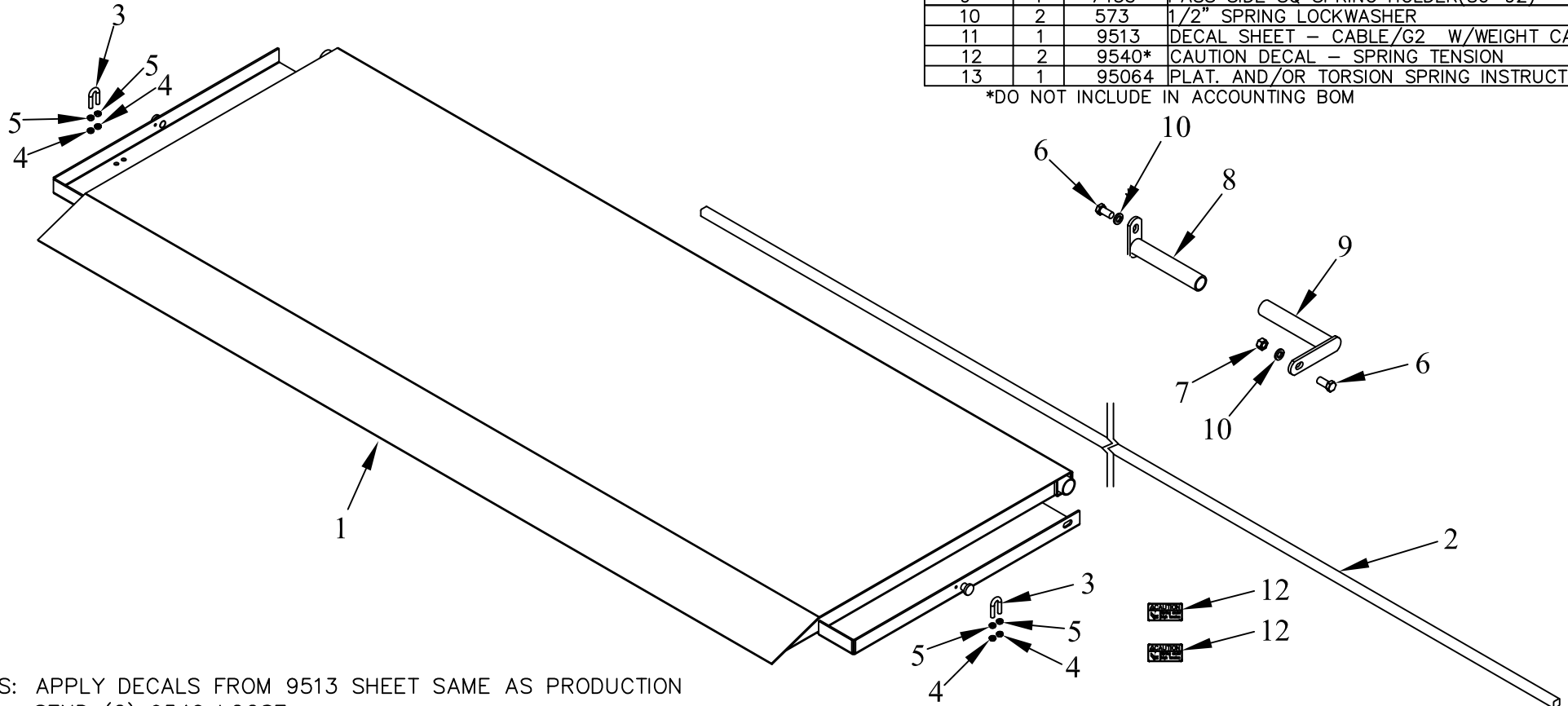


ITEM NO.	QTY.	PART NO.	DESCRIPTION
1	1	2061	(80) 36+6" TREADPLATE PLATFORM COMPLETE
2	1	5814	1/2" TORSION SPRING(80)
3	2	4727	3/8"U-BOLT(SHORT)x16x7/8x1-1/2
4	4	605	3/8-16 USS CROWN LOCK NUT
5	4	550	3/8-16 GR5 HEX NUT
6	2	587	1/2-13x1" HHCS GR5
7	1	551	1/2-13 GR5 HEX NUT (ZINC)
8	1	7433	DRIVER'S SIDE SQ SPRING HOLDER
9	1	7435	PASS SIDE SQ SPRING HOLDER(80-92)
10	2	573	1/2" SPRING LOCKWASHER
11	1	9513	DECAL SHEET - CABLE/G2 W/WEIGHT CAP.
12	2	9540*	CAUTION DECAL - SPRING TENSION
13	1	95064	PLAT. AND/OR TORSION SPRING INSTRUCTIONS

*DO NOT INCLUDE IN ACCOUNTING BOM



NOTES: APPLY DECALS FROM 9513 SHEET SAME AS PRODUCTION
SEND (2) 9540 LOOSE

REV.	DATE	CHANGE RECORD	BY	APPVD	ECN	DRAFT 2"	ANGULAR ±1°	FILENAME:	TITLE	SCALE	FIN. WT.	PART NO.	
D	1/24/17	ADDED 9513, 9540, 95064	AAS		1783			SYMBOLY PER ANSI Y14.5	NOTES: (80) 36+6" TP REPLACEMENT PLATFORM	N	297	1786	
C	4/21/14	CHANGED PN7434 TO PN7435	MTC		1001	DECIMAL MACHINE SAW, DRILL	2PLC .030	3PLC .015		DRAWN BY. DJR			
B	3/12/10	REMOVED PN8117; ADDED PN5814, 587, 551, 7433, 7434, 573	MTC		274	SHEAR, PUNCH FORM	.060	.030		DRAWN/DATE 3/15/05			
A	5/22/06	UPDATED BOM	JCB	KGJ		TORCH, WELDING ROUGH CAST	.090	.060					

WOODBINE MFG. CO.
BUS BROWN DRIVE
WOODBINE, IOWA 51579

THE INFORMATION HERE IS CONFIDENTIAL AND MUST NOT BE USED IN ANYWAY DETRIMENTAL TO THE INTEREST OF WOODBINE MFG.