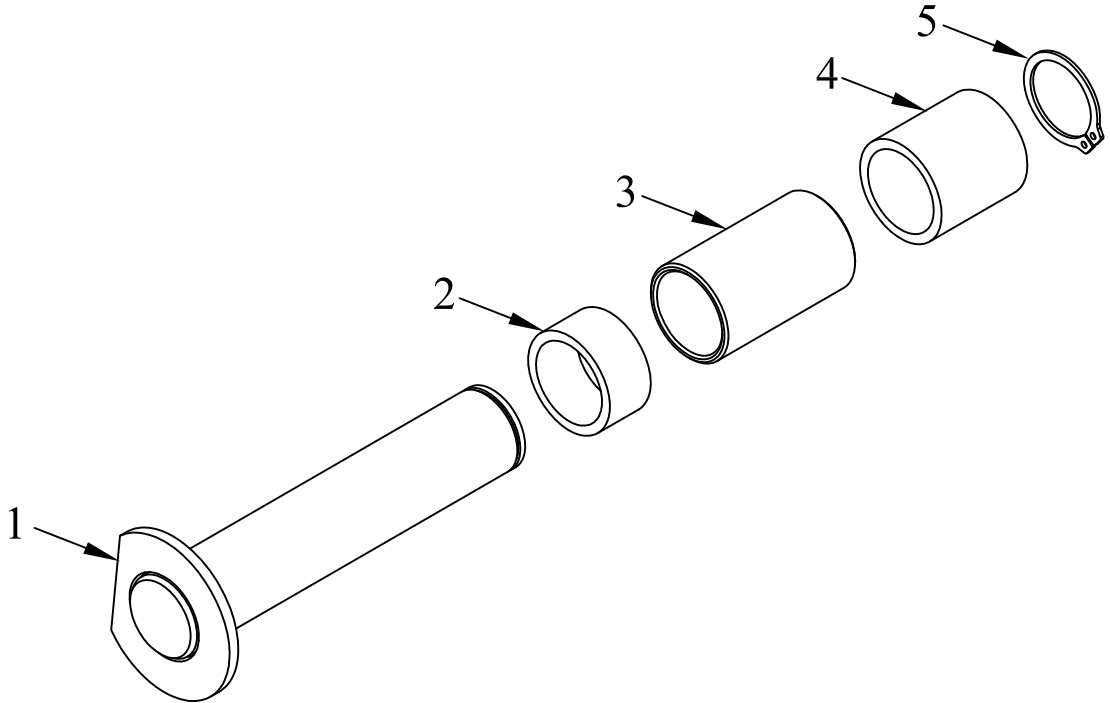


ITEM NO.	QTY.	PART NO.	DESCRIPTION
1	1	1333	1"DIA.x5.13" PIN w/WELDED LUG
2	1	1456	11GA. WA.x1.25"O.D.x.63" SPACER
3	1	1423	1" I.D.x1.19"x2" BRONZE BUSHING
4	1	1454	11GA. WA.x1.25"O.D.x1.25" SPACER
5	1	1406	1"EXTERNAL SNAP RING(5100-1.00)



				THIRD ANGLE PROJECTION			FILENAME:		WOODBINE MFG. CO.															
							SYMBOLY PER ANSI Y14.5		BUS BROWN DRIVE															
				<table border="1"> <thead> <tr> <th>DECIMAL</th> <th>2PLC</th> <th>3PLC</th> </tr> </thead> <tbody> <tr> <td>MACHINE SAW, DRILL</td> <td>.030</td> <td>.015</td> </tr> <tr> <td>SHEAR, PUNCH FORM</td> <td>.060</td> <td>.030</td> </tr> <tr> <td>TORCH, WELDING ROUGH CAST</td> <td>.090</td> <td>.060</td> </tr> </tbody> </table>			DECIMAL	2PLC	3PLC	MACHINE SAW, DRILL	.030	.015	SHEAR, PUNCH FORM	.060	.030	TORCH, WELDING ROUGH CAST	.090	.060	DRAWN BY. DJR		NOTES:		WOODBINE, IOWA 51579	
DECIMAL	2PLC	3PLC																						
MACHINE SAW, DRILL	.030	.015																						
SHEAR, PUNCH FORM	.060	.030																						
TORCH, WELDING ROUGH CAST	.090	.060																						
							DRAWN/DATE 7/25/05		712-647-2050															
							APPVD/DATE																	
B	2/25/13	REPLACED 1455 W/ 1454		LSB		849	TITLE 650 PIN KIT(UPPER CYLINDER)		<small>THE INFORMATION HERE IS CONFIDENTIAL AND MUST NOT BE USED IN ANYWAY DETRIMENTAL TO THE INTEREST OF WOODBINE MFG.</small>															
REV.	DATE	CHANGE RECORD		BY	APPVD	ECN	SALES CATEGORY	PRODUCT LINE	SCALE N	FIN. WT.	PART NO. 1438													