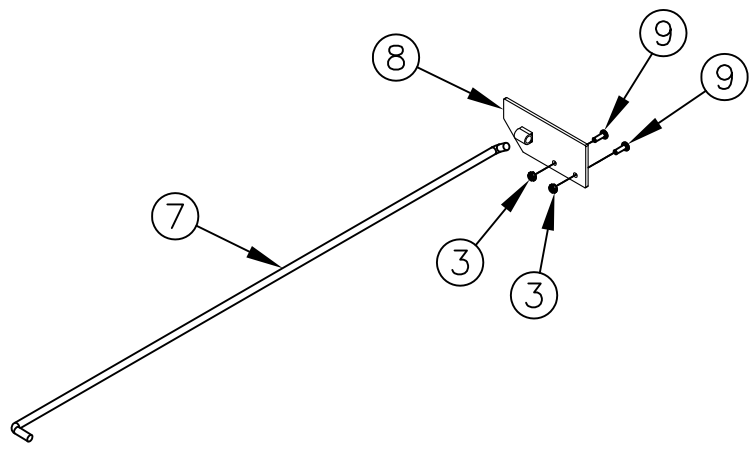
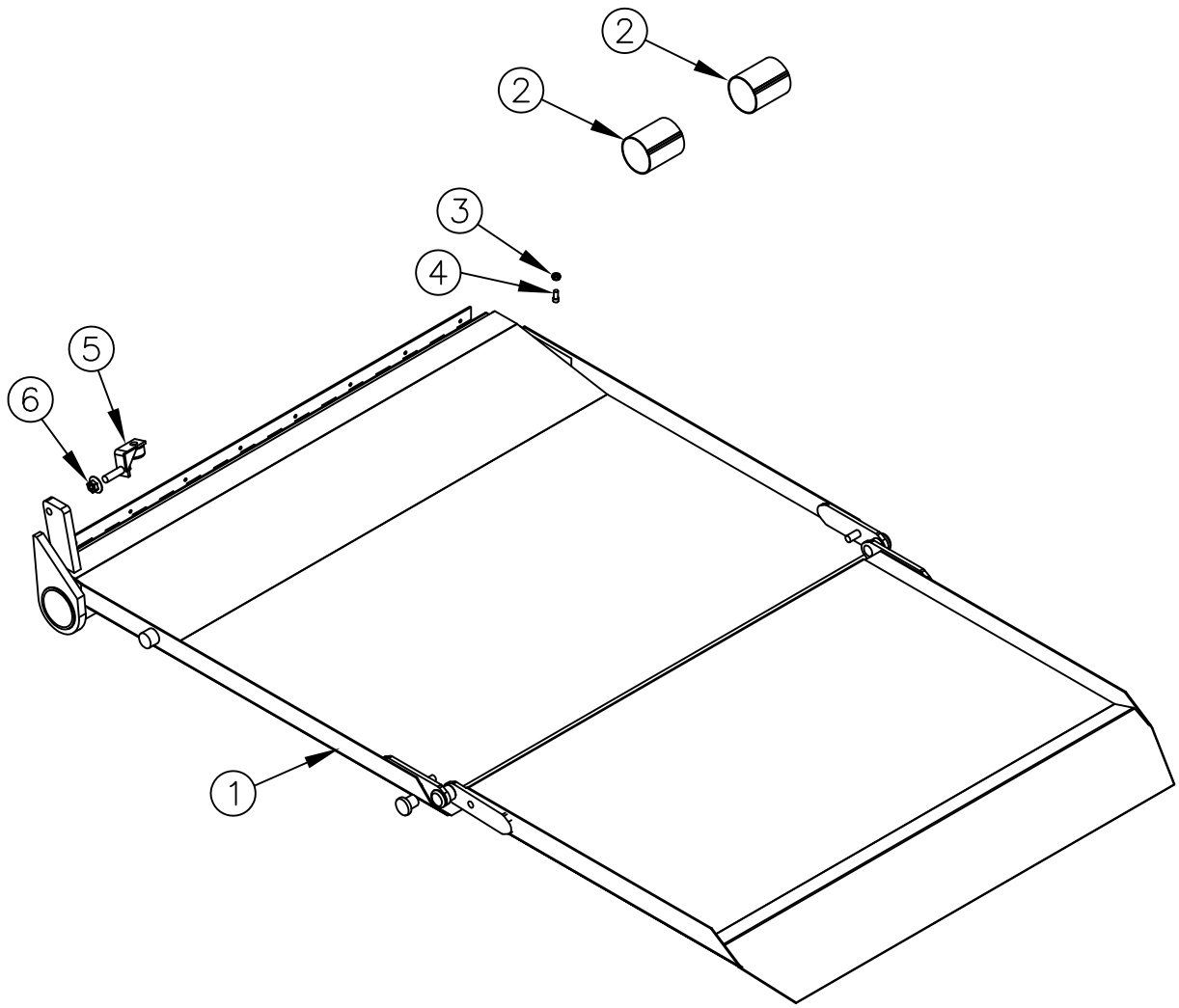


ITEM NO.	QTY.	PART NO.	DESCRIPTION
1	1	1387	COMPLETE PLATFORM(650-31)
2	2	1452	.050"x2.5"x6.25"PLATFORM WEAR BUSHING
3	3	532	1/4-20 USS CROWN LOCK NUT
4	1	546	1/4-20x1/2" USS SOC HD CAP
5	1	1318	COMPLETE 650-31 FLIPPER STOP
6	1	553	3/8-16 LARGE FLNG LOCK NUT
7	1	1413	.38"x34.13" TORSION SPRING(650)
8	1	1414	TORSION SPRING HOLDER WELDMENT(650)
9	2	504	1/4-20x3/4" PH PAN HD MS
10	1	95119	PLATFORM REPLACEMENT INSTR. - 650



				THIRD ANGLE PROJECTION			FILENAME:		WOODBINE MFG. CO.															
							SYMBOLY PER ANSI Y14.5		BUS BROWN DRIVE															
				<table border="1"> <tr> <th>DECIMAL</th> <th>2PLC</th> <th>3PLC</th> </tr> <tr> <td>MACHINE SAW, DRILL</td> <td>.030</td> <td>.015</td> </tr> <tr> <td>SHEAR, PUNCH FORM</td> <td>.060</td> <td>.030</td> </tr> <tr> <td>TORCH, WELDING ROUGH CAST</td> <td>.090</td> <td>.060</td> </tr> </table>			DECIMAL	2PLC	3PLC	MACHINE SAW, DRILL	.030	.015	SHEAR, PUNCH FORM	.060	.030	TORCH, WELDING ROUGH CAST	.090	.060	DRAWN BY. DJR		NOTES:		WOODBINE, IOWA 51579	
DECIMAL	2PLC	3PLC																						
MACHINE SAW, DRILL	.030	.015																						
SHEAR, PUNCH FORM	.060	.030																						
TORCH, WELDING ROUGH CAST	.090	.060																						
				DRAWN/DATE 7/21/05		712-647-2050																		
				APPVD/DATE		TITLE		THE INFORMATION HERE IS CONFIDENTIAL AND MUST NOT BE USED IN ANYWAY DETRIMENTAL TO THE INTEREST OF WOODBINE MFG.																
B	10/2/13	ADDED 95119; REPLACED KITS WITH INDIVIDUAL PARTS		JCB		974	650 REPLACEMENT PLATFORM																	
REV.	DATE	CHANGE RECORD			BY	APPVD	ECN	SALES CATEGORY	PRODUCT LINE	SCALE	FIN. WT.	PART NO.												
										1:10		1400												