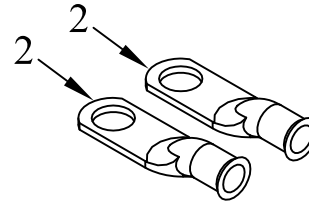
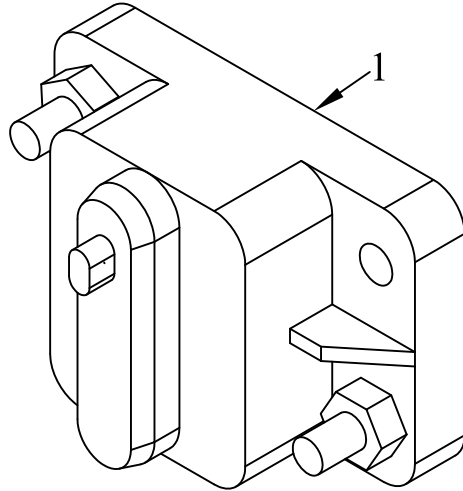


ITEM NO.	QTY.	PART NO.	DESCRIPTION
1	1	001031	150 AMP MANUAL RESET CIRCUIT BREAKER
2	2	004698	COPPER LUG-4GA 3/8" EYE



						THIRD ANGLE PROJECTION	FILENAME:	WOODBINE MFG. CO.	
							SYMBOLY PER ANSI Y14.5	BUS BROWN DRIVE	
						DECIMAL	2PLC	3PLC	NOTES:
						MACHINE SAW, DRILL	.030	.015	DRAWN BY.
						SHEAR, PUNCH FORM	.060	.030	DJR
						TORCH, WELDING ROUGH CAST	.090	.060	DRAWN/DATE
									1/24/06
									APPVD/DATE
									3/27/06
									TITLE
									REPLACEMENT 150 AMP CIRCUIT BREAKER
						DRAFT	ANGULAR	SALES CATEGORY	PRODUCT LINE
						2"	±1"	45	8950
									SCALE
									N
									FIN. WT.
									1.4
									PART NO.
									998
A	3/27/06		DRAWN IN AUTOCAD	MTC	KGJ				
REV.	DATE		CHANGE RECORD	BY	APPVD	ECN			

THE INFORMATION HERE IS CONFIDENTIAL AND MUST NOT BE USED IN ANYWAY DETRIMENTAL TO THE INTEREST OF WOODBINE MFG.

