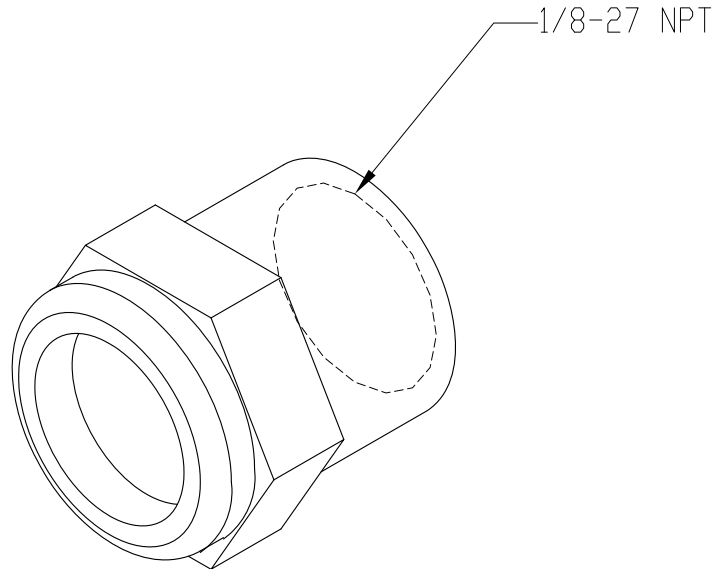


ITEM NO.	QTY.	PART NO.	DESCRIPTION
1	1	600	VENT PLUG-CYLINDER RAIL



REV.	DATE	CHANGE RECORD	BY	APPVD	ECN	DRAFT 2°	ANGULAR ±1°	SALES CATEGORY	PRODUCT LINE	SCALE	FIN. WT.	PART NO.
A	3/28/06	DRAWN IN AUTOCAD	MTC	KGJ				45	8950	N	21.3	979

THIRD ANGLE PROJECTION		
DECIMAL	2PLC	3PLC
MACHINE SAW, DRILL	.030	.015
SHEAR, PUNCH FORM	.060	.030
TORCH, WELDING ROUGH CAST	.090	.060

FILENAME:	NOTES:			
SYMBOLGY PER ANSI Y14.5				
DRAWN BY: MTC				
DRAWN/DATE 03/28/06				
APPVD/DATE 03/28/06	TITLE REPLACEMENT VENT PLUG-CYL RAIL/G2			
SALES CATEGORY	PRODUCT LINE	SCALE	FIN. WT.	PART NO.
45	8950	N	21.3	979

WOODBINE MFG. CO.
BUS BROWN DRIVE
WOODBINE, IOWA 51579

712-647-2050

THE INFORMATION HERE IS CONFIDENTIAL AND MUST NOT BE USED IN ANYWAY DETRIMENTAL TO THE INTEREST OF WOODBINE MFG.