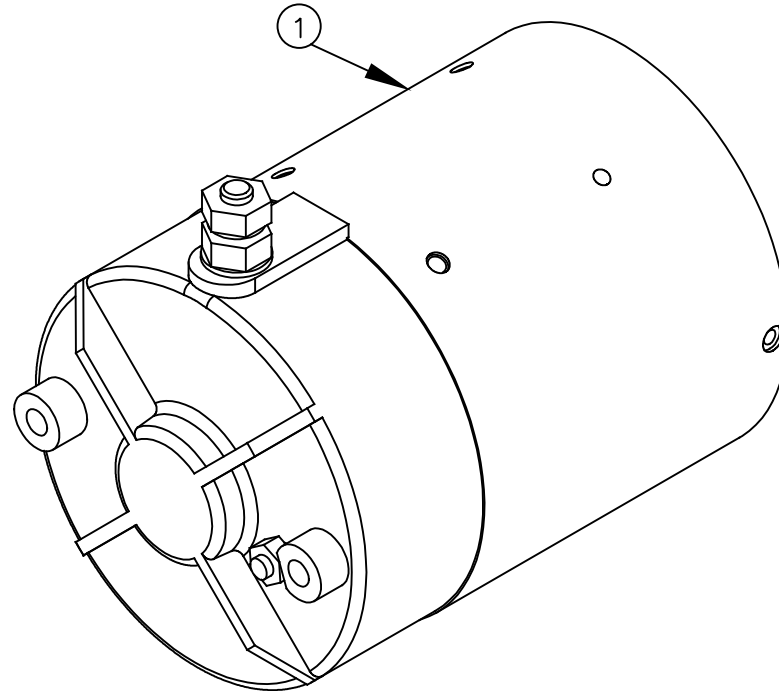


ITEM NO.	QTY.	PART NO.	DESCRIPTION
1	1	4320	MONARCH 12 VOLT MOTOR-ONLY



					THIRD ANGLE PROJECTION			FILENAME: E:\KITS(Repair Parts)\G2\000958.dwg				WOODBINE MFG. CO. BUS BROWN DRIVE WOODBINE, IOWA 51579													
								SYMBOLY PER ANSI Y14.5		NOTES:															
					<table border="1"> <thead> <tr> <th>DECIMAL</th> <th>2PLC</th> <th>3PLC</th> </tr> </thead> <tbody> <tr> <td>MACHINE SAW,DRILL</td> <td>.030</td> <td>.015</td> </tr> <tr> <td>SHEAR, PUNCH FORM</td> <td>.060</td> <td>.030</td> </tr> <tr> <td>TORCH, WELDING ROUGH CAST</td> <td>.090</td> <td>.060</td> </tr> </tbody> </table>			DECIMAL	2PLC					3PLC	MACHINE SAW,DRILL	.030	.015	SHEAR, PUNCH FORM	.060	.030	TORCH, WELDING ROUGH CAST	.090	.060	DRAWN BY. JCB	
DECIMAL	2PLC	3PLC																							
MACHINE SAW,DRILL	.030	.015																							
SHEAR, PUNCH FORM	.060	.030																							
TORCH, WELDING ROUGH CAST	.090	.060																							
B	9/27/19	CHANGED TO BALL BEARING FROM BRONZE BUSHING			MTC	2334	DRAWN/DATE 7/21/06		TITLE REPLACEMENT 12 VOLT MOTOR ONLY (MONARCH)																
A	7/21/06	DRAWN IN AUTOCAD			JCB	KGJ	APPVD/DATE 7/21/06																		
REV.	DATE	CHANGE RECORD			BY	APPVD	ECN	DRAFT 2"	ANGULAR ±1"	SALES CATEGORY 45	PRODUCT LINE 8950	SCALE 1:2	FIN. WT. 16.10	PART NO. 958											