

## V2 Platform Tilt Adjustment Instructions

---

These instructions will aid you in adjusting the platform tilt on a Tommy Gate V2 series liftgate.

### Adjusting the Platform Tilt

---

1. **Park** the vehicle on level ground.
2. **Lower** the liftgate to the ground. Make sure the liftgate clears the bumper.  
The platform taper end should touch the ground.  
The platform taper end and the hinge end should touch the ground at about the same time.

Note: If the platform tilt is properly adjusted, no adjustment is needed. Otherwise proceed to the next step.

3. **Skip** to Step 9 if the set screws do not have jam nuts.
4. **Raise** and partially **Fold** the platform to allow access to the jam nuts on the platform set screws.
5. **Support** the platform and **Power Off** the control.
6. **Remove** and **Discard** the platform set screws and jam nuts.
7. **Install** new set screws that include thread locker.  
Do not fully thread the set screw into the platform at this time.
8. **Lower** the platform to the ground.
9. **Adjust** the platform set screws until the platform taper end just rests on the ground (Figure 1).  
Turn the set screws in to raise the taper end, and out to lower the taper end.  
If the set screws turn with no resistance, apply medium strength thread locker.

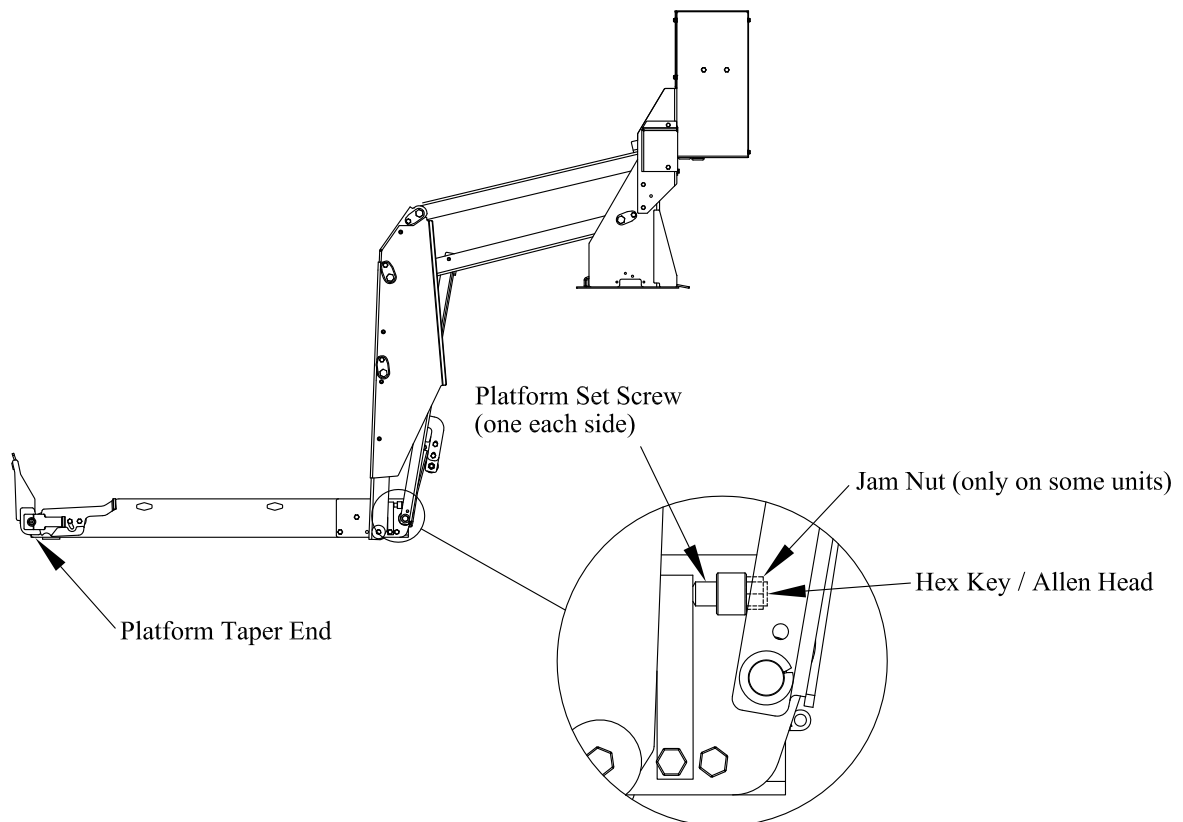


Figure 1: Platform Hinge End.