

DETAILED LIFTGATE DIMENSIONS



CARGO VAN



						A	B	C	D	E	F	G	H	I	K	L	M
	Travel - Floor to Ground Level	Lifting Capacity	Gate Weight ¹	Flat Loading Width	Clear Opening Between Uprights	Overall Platform Width	Overall Gate Width	Height of Extended Retention Ramp Above Van Floor	Platform Depth	Platform Taper	Height of Shipping Floor Above Van Floor ²	Angle of Shipping Floor	Height of Platform Above Van Floor	Height of Liftgate Above Van Floor	Height of Pump Box Top Above Van Floor	Height of Pump Box Bottom Above Van Floor	
V2-56-1140 FA49	40	1100	445	47-1/2	49-3/16	48-1/2	57-1/2	61-1/4	49	9	58-5/16	54-1/8	49	36	17		
V2-56-1140 FA34	40		410	47-1/2	49-3/16	48-1/2	57-1/2	46-3/8	34	9	45	39-1/8	49	36	17		
V2-47-1140 FA42	40	1100	405	38-1/2	40-3/16	39-1/2	48-1/2	53-5/8	42	9	57-5/8	46-5/16	48-1/4	35-1/2	16-3/8		

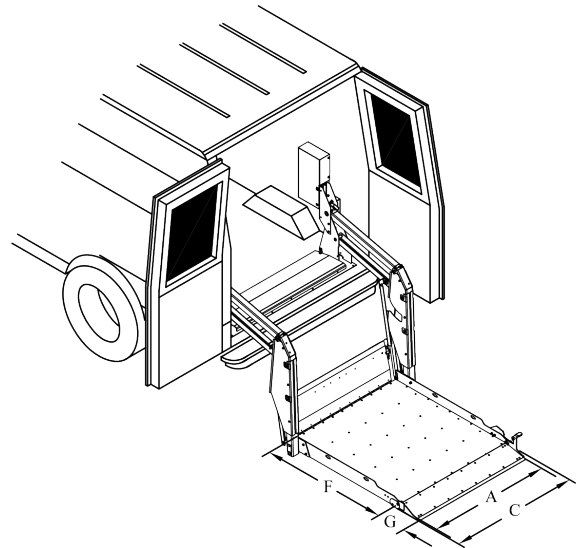
IMPORTANT

• V2-47 liftgates are ONLY available for Chevy Express.

NOTES

1. Gate weight is complete gate, without mounting kit or pallet
2. Dimension gives overall height for installation of FA49 platforms ONLY

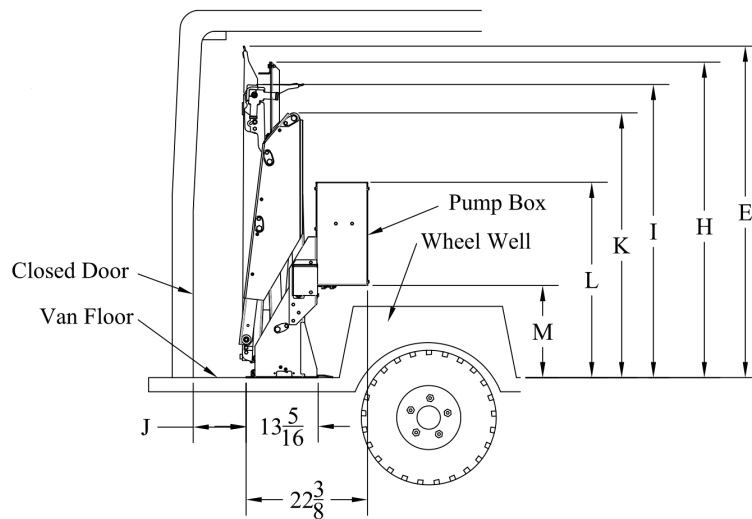
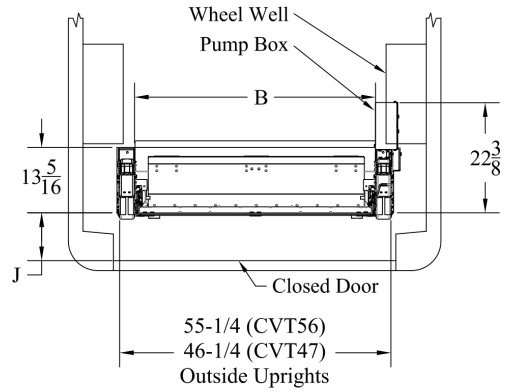
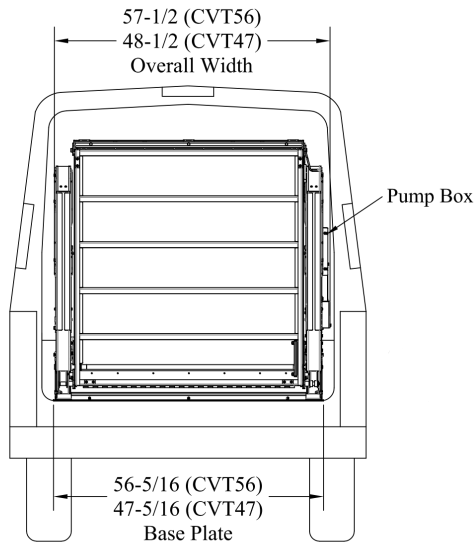
	Closed Van Door to Base Plate	Bracket Kit Number	J ⁷
Chevy Express	5-1/8	17508	
Ford Transit Non-Extended Roof	9-3/4	15794	
Ford Transit Non-Extended	9-3/4	15230	
Ford Transit Extended	6	15418	
Nissan NV	5-1/8	15576	
Ram Promaster Non-Extended	2-1/2	15608	
Ram Promaster Extended	2-1/2	15644	
Sprinter 1500/2500 144" WB ³	5-3/8	15966	
Sprinter 3500/4500 144" WB ³	N/A ⁶	N/A	
Sprinter 2500 170" WB Non-Extended ⁴	5-1/8	15323	
Sprinter 3500/4500 170" WB Non-Extended ⁴	N/A ⁶	N/A	
Sprinter 2500/3500/4500 170" WB Extended ⁴	5-1/8	16302 ⁵	



NOTES

3. Retention ramp must be engaged before storing liftgate for 49FA platform on standard roof.
4. 2019-2021 Sprinter, 170"WB must have one of these factory installed options: V43 (woodfloor), V39 (plastic floor), or ZE6 (shelving prep)
5. This application requires a 37-foot power cable, option E3
6. Dimension not available at the time of publication.
7. Dimension "J" may differ depending on application. Contact factory for more information.

DETAILED LIFTGATE DIMENSIONS



IMPORTANT

- V2-47 liftgates are **ONLY** available for Chevy Express.
- V2 Series liftgates reduce the door opening height by 2" (from the metal floor).
- V2 Series liftgates are not compatible with floor mounted rear heat or air conditioning.
- Mounting kits for V2 liftgates are intended for the specific model only. Use of a mounting kit in a vehicle or manner other than intended is **NOT** recommended by Tommy Gate. Using an incorrect mounting kit will likely result in damage to the van's bumper, door and floor area, as well as to the lifting and folding mechanism of the liftgate.

Tommy Gate® liftgates are industrial products for material handling only and are not to be used as personnel or wheelchair lifts. For safe handling and operating instructions, visit www.tommygate.com.

© 2020 Woodbine Manufacturing Company, Inc. All rights reserved.

WWW.TOMMYGATE.COM



1 (800) LIFTGATE