

# DETAILED LIFTGATE DIMENSIONS



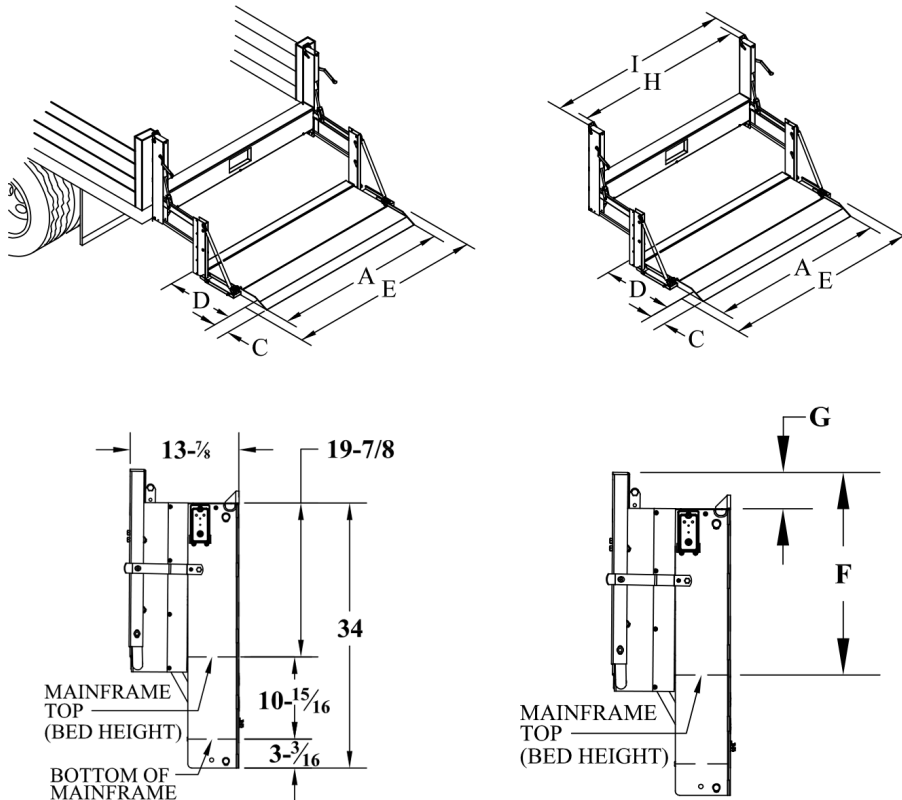
FLATBED, STAKE, & VAN BODY



## LOW-PROFILE MODELS <sup>1</sup>

	Travel	Lifting Capacity	Gate Weight	Platform Loading Width	Taper	A	C	D	E	F	G	H	I
<b>G2-65-XX42 TP38</b>	42	505	60-3/8	4-1/2	38-1/2	70	20-3/16	5/16	61-1/4	66-3/4	1000 & 1600-lb. Lifting Capacity		
<b>G2-65-XX42 EA38</b>	42	436	60-1/4	6	38-1/2	70	20-1/16	3/16	61-1/4	66-3/4			
<b>G2-73-XX42 TP38</b>	42	532	66-1/4	4-1/2	38-1/2	76-1/4	20-3/16	5/16	67-1/2	73			
<b>G2-73-XX42 EA38</b>	42	458	66-1/2	6	38-1/2	76-1/4	20-1/16	3/16	67-1/2	73			
<b>G2-81-XX42 TP38</b>	42	572	74-3/4	4-1/2	38-1/2	84-3/4	20-3/16	5/16	76	81-1/2			
<b>G2-81-XX42 EA38</b>	42	489	75	6	38-1/2	84-3/4	20-1/16	3/16	76	81-1/2			
<b>G2-87-XX42 TP38</b>	42	592	80-1/4	4-1/2	38-1/2	90-1/4	20-3/16	5/16	81-1/2	87			
<b>G2-87-XX42 EA38</b>	42	507	80-1/2	6	38-1/2	90-1/4	20-1/16	3/16	81-1/2	87			
<b>G2-92-XX42 TP38</b>	42	609	85-1/4	4-1/2	38-1/2	95-1/4	20-3/16	5/16	86-1/2	92			
<b>G2-92-XX42 EA38</b>	42	523	85-1/2	6	38-1/2	95-1/4	20-1/16	3/16	86-1/2	92			

NOTE 1. Low-Profile G2 Models are a specialized application recommended for specific vehicle requirements.



Tommy Gate® liftgates are industrial products for material handling only and are not to be used as personnel or wheelchair lifts. For safe handling and operating instructions, visit [www.tommygate.com](http://www.tommygate.com).

WWW.TOMMYGATE.COM

1 (800) LIFTGATE

© 2021 Woodbine Manufacturing Company, Inc. All rights reserved.