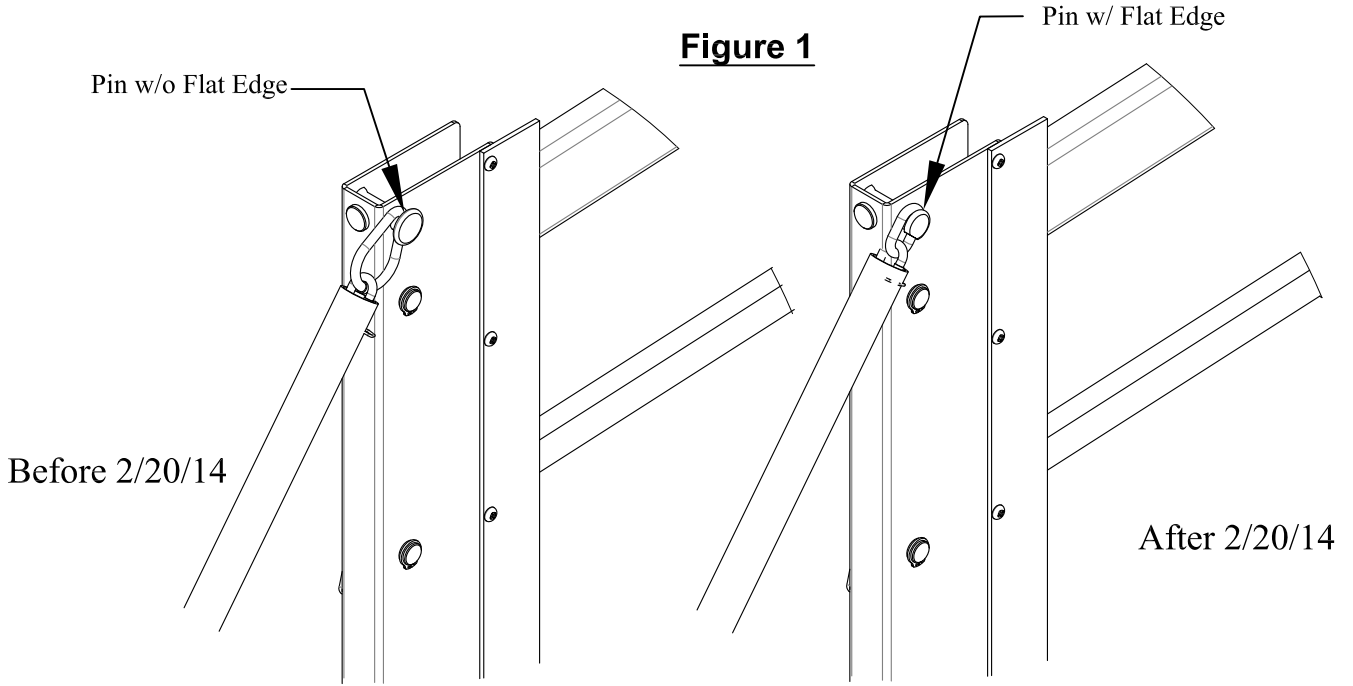


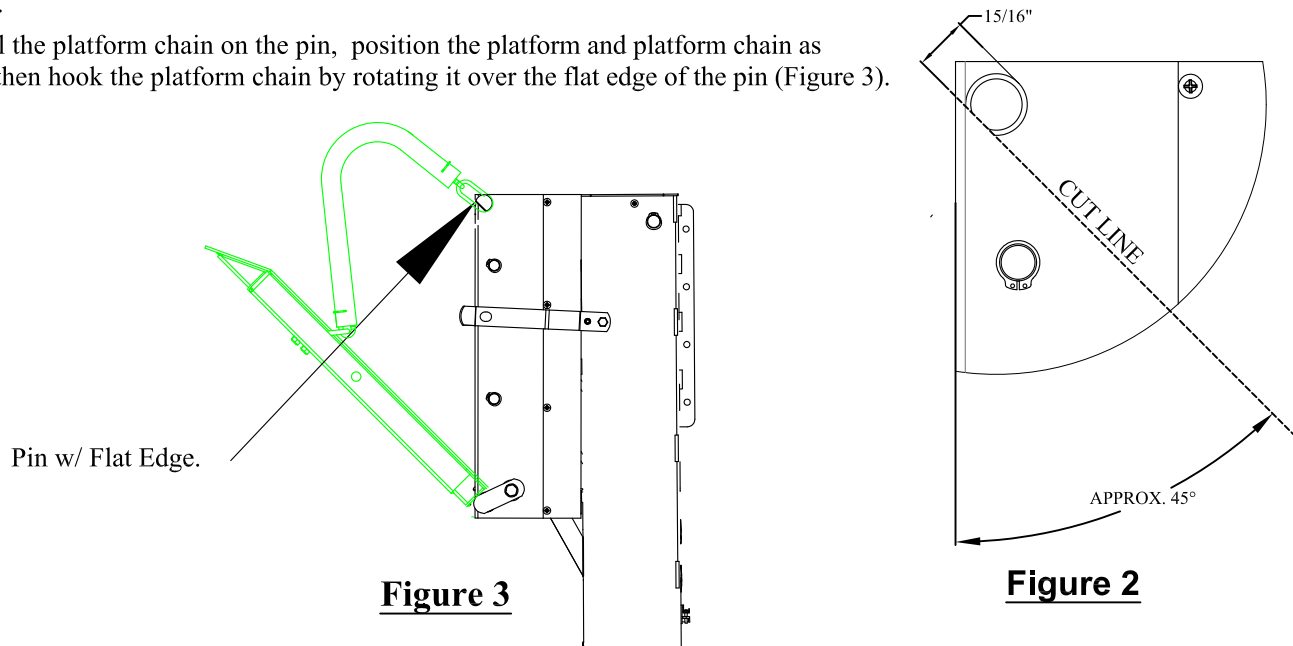
Note: This document applies to the replacement of platform chains on Tommy Gate model G2 lift gates with 50" of vertical travel. On February 20,2014 a change was made to the platform chains on these lift gates only. The following instructions will allow the replacement of platform chains on a lift gate made prior to 2/20/14 with the current platform chains.

Before attempting to install replacement platform chains, observe the pin (Figure 1). If the pin has a flat edge, installing the new chains can proceed with out any further modification. If this pin does not have a flat edge. This edge flat edge must be ground into the pin before attempting to install the platform chains.



Note: When grinding a flat edge on the Sub Assembly Pin, it is important that you orientate the flat edge as show in Figure 2.

To install the platform chain on the pin, position the platform and platform chain as shown, then hook the platform chain by rotating it over the flat edge of the pin (Figure 3).



Note: Figures 1,2 & 3 show only one side of the lift gate, repeat this procedure for other side.